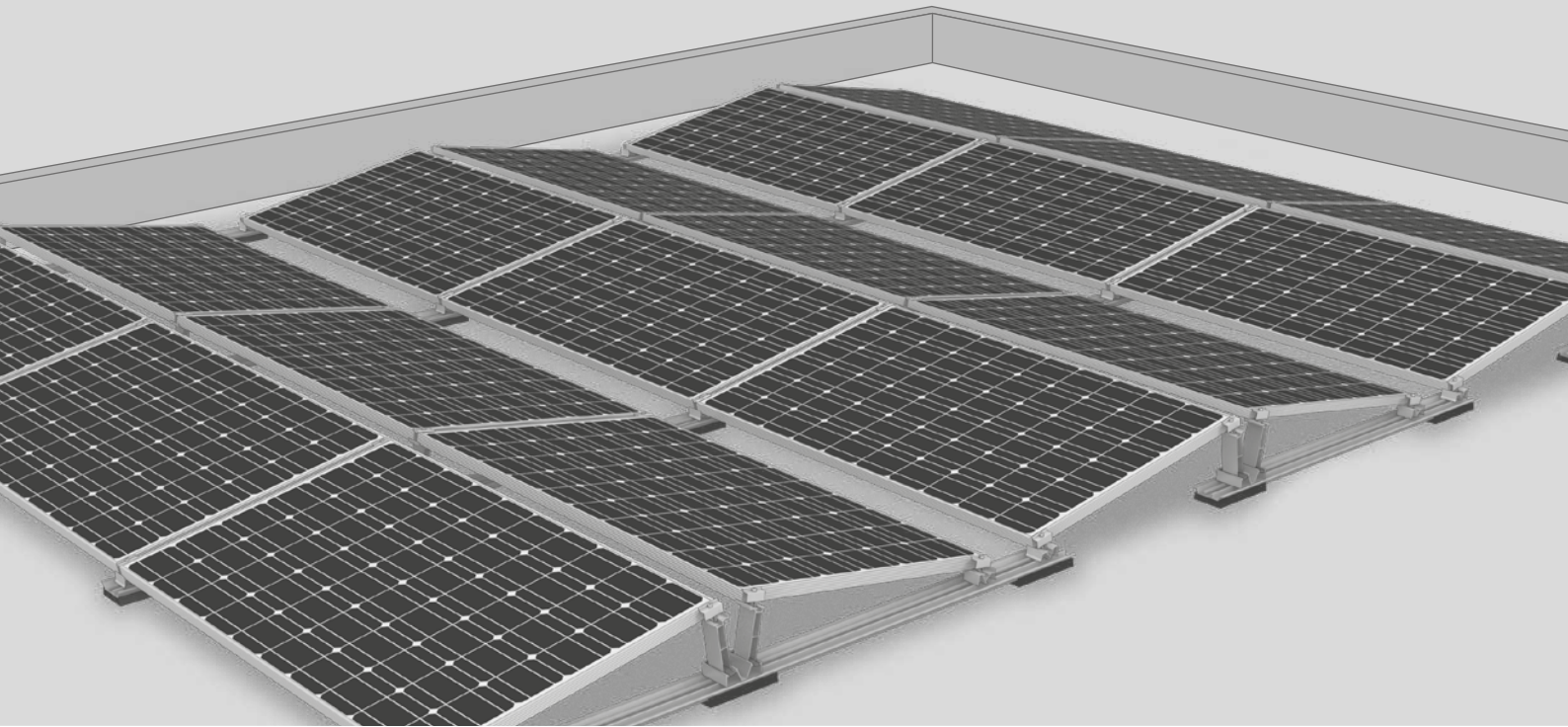




D-Dome V 10° System **New**

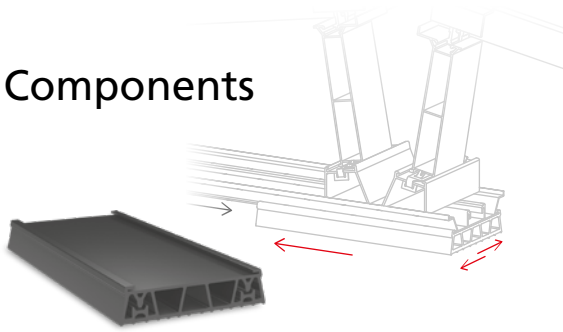
The double-sided elevation – generation V



- ▶ Distinctly ballast-optimized system due to an improved friction coefficient of the flexible support pad
- ▶ Simultaneous assembly of modules and mounting system as well as reduced screw connections ensure faster installation
- ▶ Lower logistics costs due to decreased transport volume

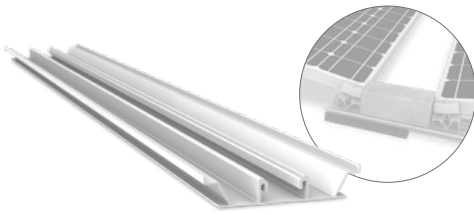


Components



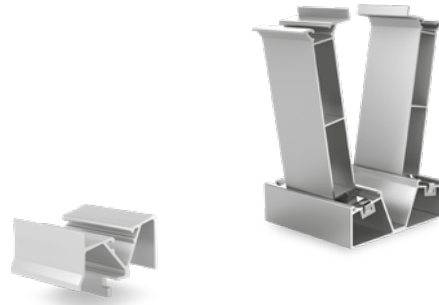
Mat V

- ▶ Flexible Mat V made of EPDM – only 1 size and 1 variant (no aluminium lamination required)
- ▶ Absorbs and compensates for tolerances
- ▶ Friction coefficients reduce ballast



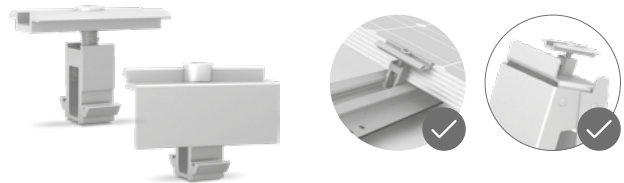
Rail mounting rail

- ▶ Integrated ballast tray almost eliminates the need for additional components
- ▶ Short rails help compensate for roof tolerance



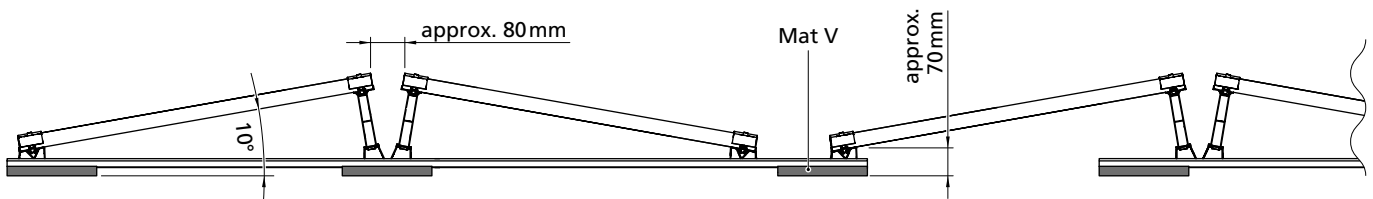
Dome V elevation

- ▶ Innovative geometry and connections to accommodate tolerances
- ▶ Single screw connection and fast screw-in assembly of the SD with fixation via module clamp
- ▶ Low transport volume



Universal module clamps: MiniClamp MC/EC

- ▶ Clamping range 30 - 50 mm
- ▶ Compatible with the S-Rock and MiniRail System
- ▶ Optional: Equipotential bonding with TerraGrif possible



Technical data

	D-Dome V
Scope of application	Flat roofs $\leq 5^\circ$ with single ply membrane or bituminous roof covering, also on concrete, gravelled or green roofs
Fastening type/roof fixture	Ballasted; no roof penetration for inclination $\leq 3^\circ$
Requirements	<ul style="list-style-type: none"> ▶ Permissible module dimensions (L x W x H): 1386 - 2080 x 950 - 1100 x 30 - 50 mm ▶ Minimum system size: 2 supports (4 modules) ▶ Module approved for corner clamping (see k2-systems.com/en/approved-modules)
Technical specifications	<ul style="list-style-type: none"> ▶ Thermal separation after a maximum of 15.5 m (trapezoidal sheet 8.4 m) ▶ Minimum distance to the edge of the roof 600 mm
Inclination angle	10°
Material	<ul style="list-style-type: none"> ▶ Mounting rails, Peak, Basis, SD and MiniClamps: Aluminium EN AW-6063 T66 ▶ Mat V protective mat: EPDM ▶ Small parts: stainless steel (1.4301) A2-70