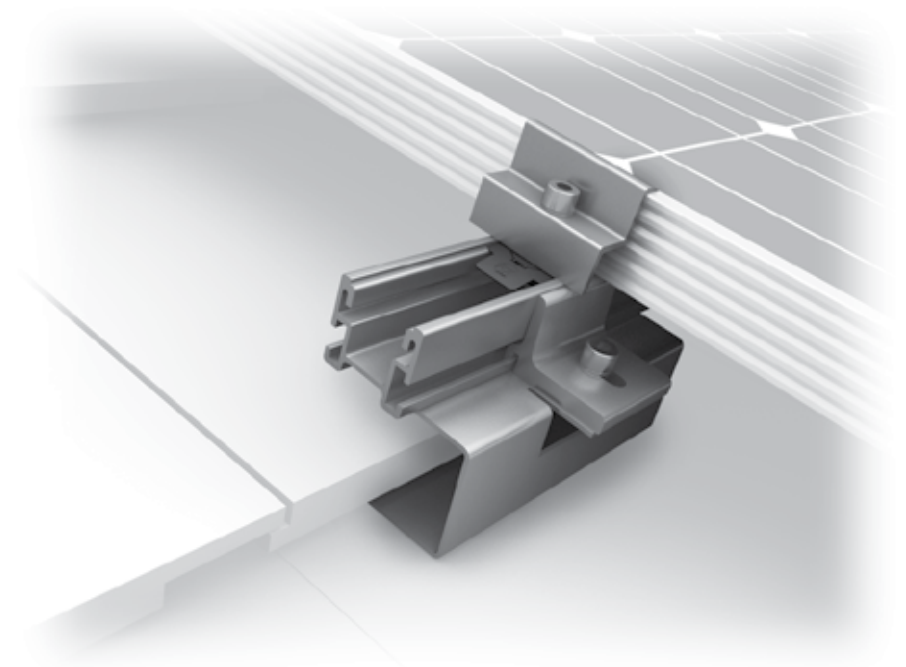


System

Mounting systems for solar technology



SERVICE-HOTLINE
+49 (0)7159 42059-0
www.k2-systems.com

Produktblatt Dachhaken UK | GB4 | 1014 | Subject to change
Product illustrations are exemplary illustrations and may differ from the original.



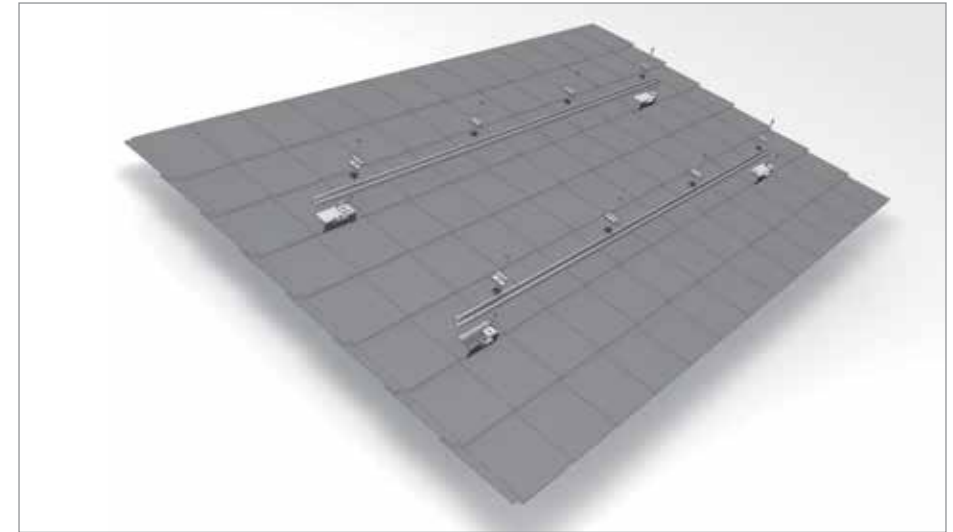
K2 SYSTEMS
SLOPED ROOF SYSTEMS
VARIO 2S & CROSSHOOK 2

VARIO 2S & CROSSHOOK 2

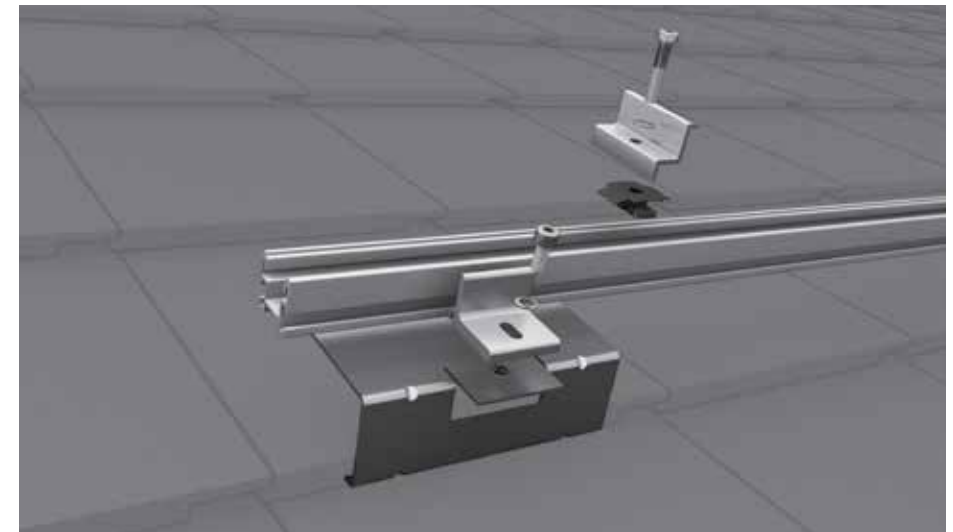
- K2 Systems roof fastener system developed especially for flat tiles in accordance with British standards
- Easy installation with screw connection from above using the K2 CrossRail and K2 Climber
- Limited modification of tiles, in most cases
- Excellent corrosion resistance thanks to use of high-quality aluminium alloys and stainless steel components
- Suitable for all module types
- Modular structure suitable for any system size
- Round elongated hole for standard-compliant fastening on to timber substructures
- Sophisticated geometry and targeted use of materials allows for increased span widths at installation
- High level of flexibility due to adjustment of bracket height on Vario 2S

Technical data

Field of application	Sloped roof 5-75°
Roofing	Various tiled roofs or flat tile roofs
PV modules	Suitable for all standard module types
Module orientation	Vertical / horizontal (with cross bracing)
Material	Stainless steel 1.4301
Connecting elements	Stainless steel A2-70 M6 rafter screws
Roof connection	Screw connection
Rafter width	From 36 mm
Static principles	Determination of load capacity values by independent testing institutes
Load assumption in accordance with	DIN EN 1991 (Eurocode 1), screw connection in accordance with Eurocode 5
System components	Roof fastener, K2 CrossRail range, K2 Climber, mid and end clamp sets, M K2



System Explosion drawing



Explosion drawing - CrossHook 2