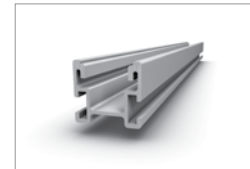
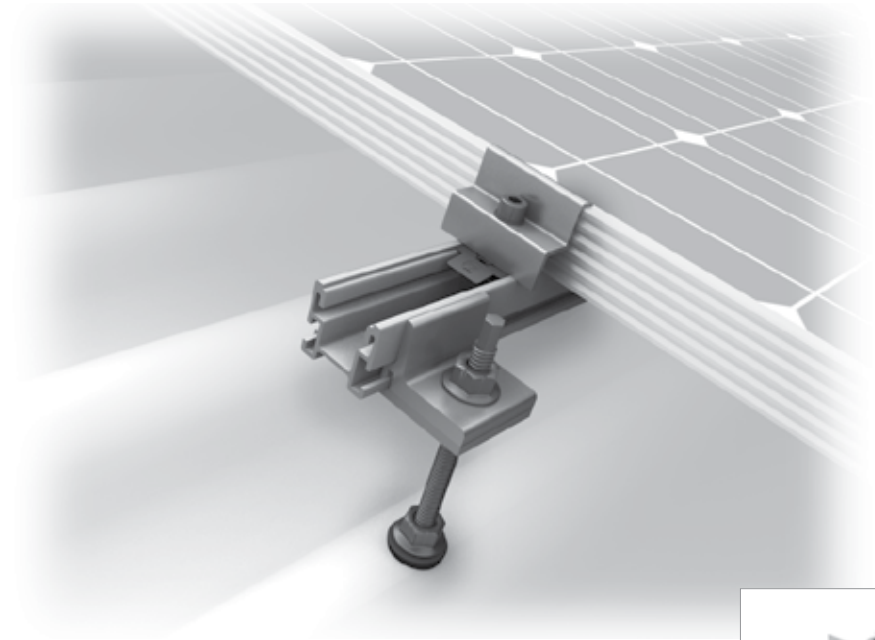


Detail illustration - Hanger bolt CR System

Mounting systems for solar technology



SERVICE-HOTLINE
+49 (0)7159 42059-0
www.k2-systems.com

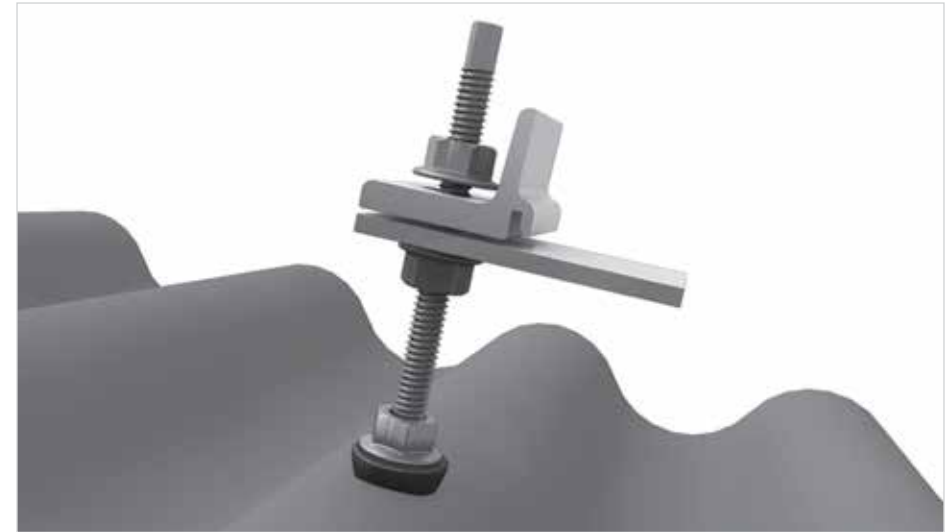
Product Sheet Hanger Bolt CR | GB2 | 0714 | Subject to change
 Product illustrations are exemplary illustrations and may differ from the original.



K2 SYSTEMS
SLOPED ROOF SYSTEMS
HANGER BOLT CR

HANGER BOLT CR SYSTEM

- Approved mounting system for roofs with corrugated fibre cement with timber sub-structure
- Pre-assembled hanger bolt with adapter plate and K2 Climber for time-saving assembly,
 - Bolt head with hexagon socket allows easy mounting with cordless screwdrivers
- Extra-long metric thread for height adjustment
- Quality and safety by means of independent technical approval
- Easy connection by K2 Climber and K2 CrossRail family
- All components made of high-quality UV-resistant materials
- Structurally verified solution in use with the K2 design software

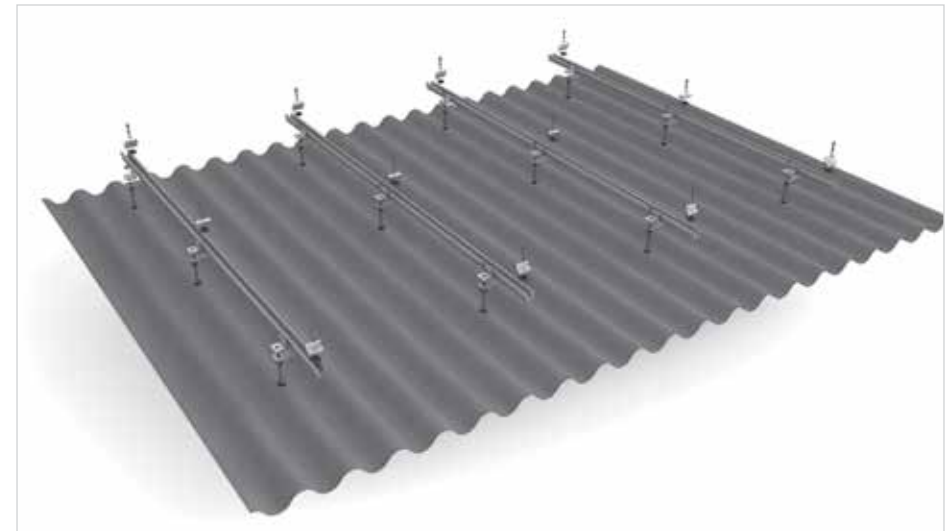


Detail illustration - Hanger bolt CR System

Technical data



Field of application	Pitched roofs 5 - 75°
Roofing	Corrugated fibre cement with timber sub-structure
PV modules	Suitable for all standard module types
Module orientation	portrait / landscape (with cross-bracing)
Material	Aluminium (EN AW-6063 T66)
Connecting elements	Stainless steel screws A2-70, sealing made from EPDM
Roof connection	Screw connection
Static principles	Determination of load capacity values by independent testing institutes
Load assumption in accordance with	Eurocode 1 / DIN EN 1991
System components	Pre-assembled Hanger bolt with K2 Climber, CrossRail family, mid and end clamp sets, M K2



Exploded view