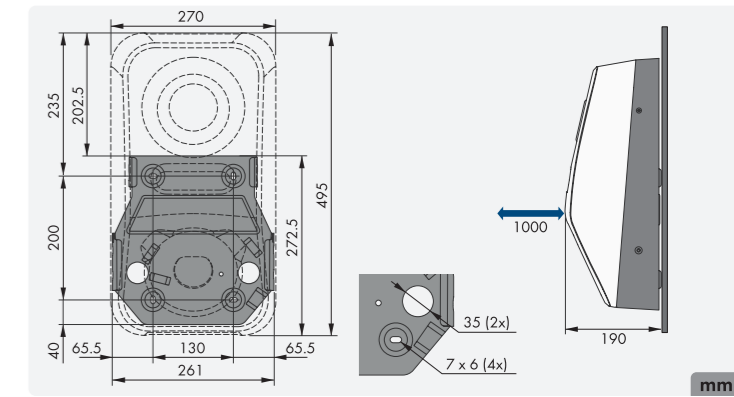
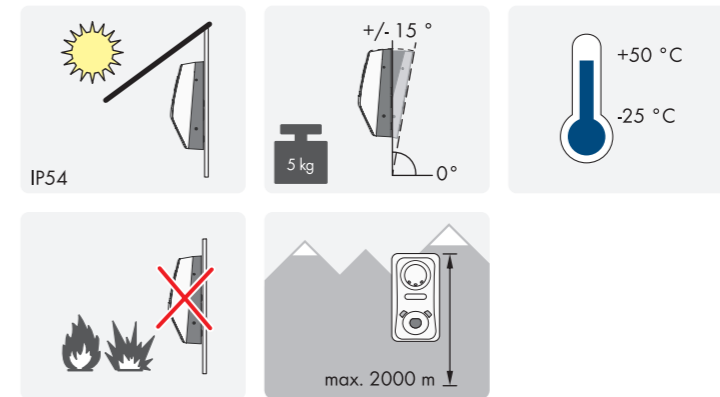
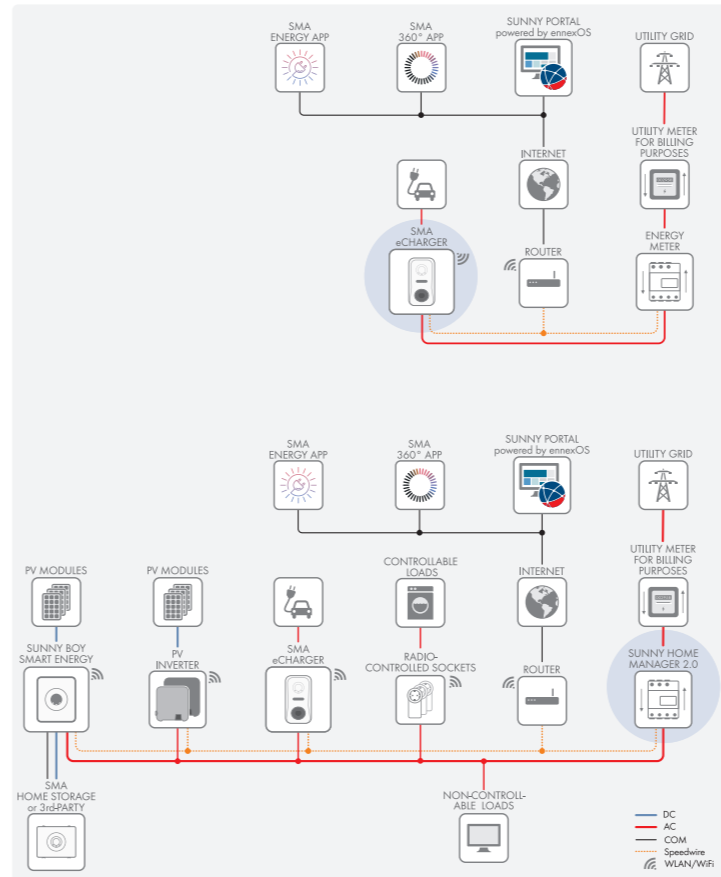
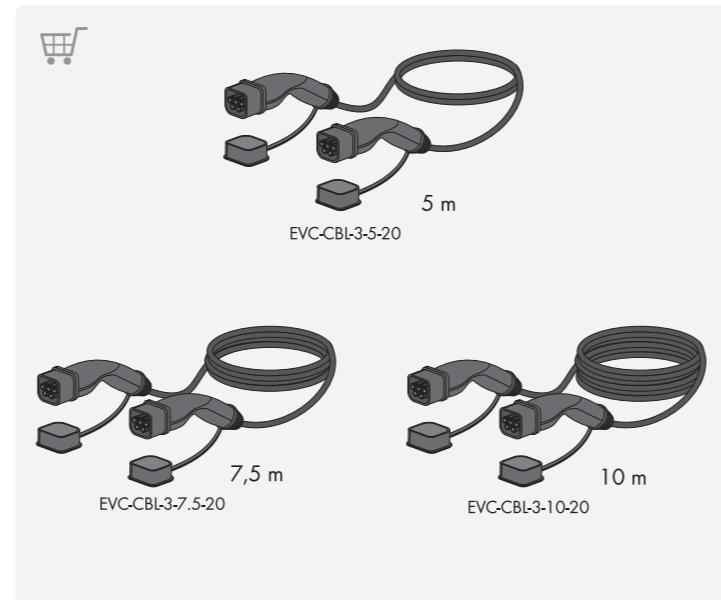
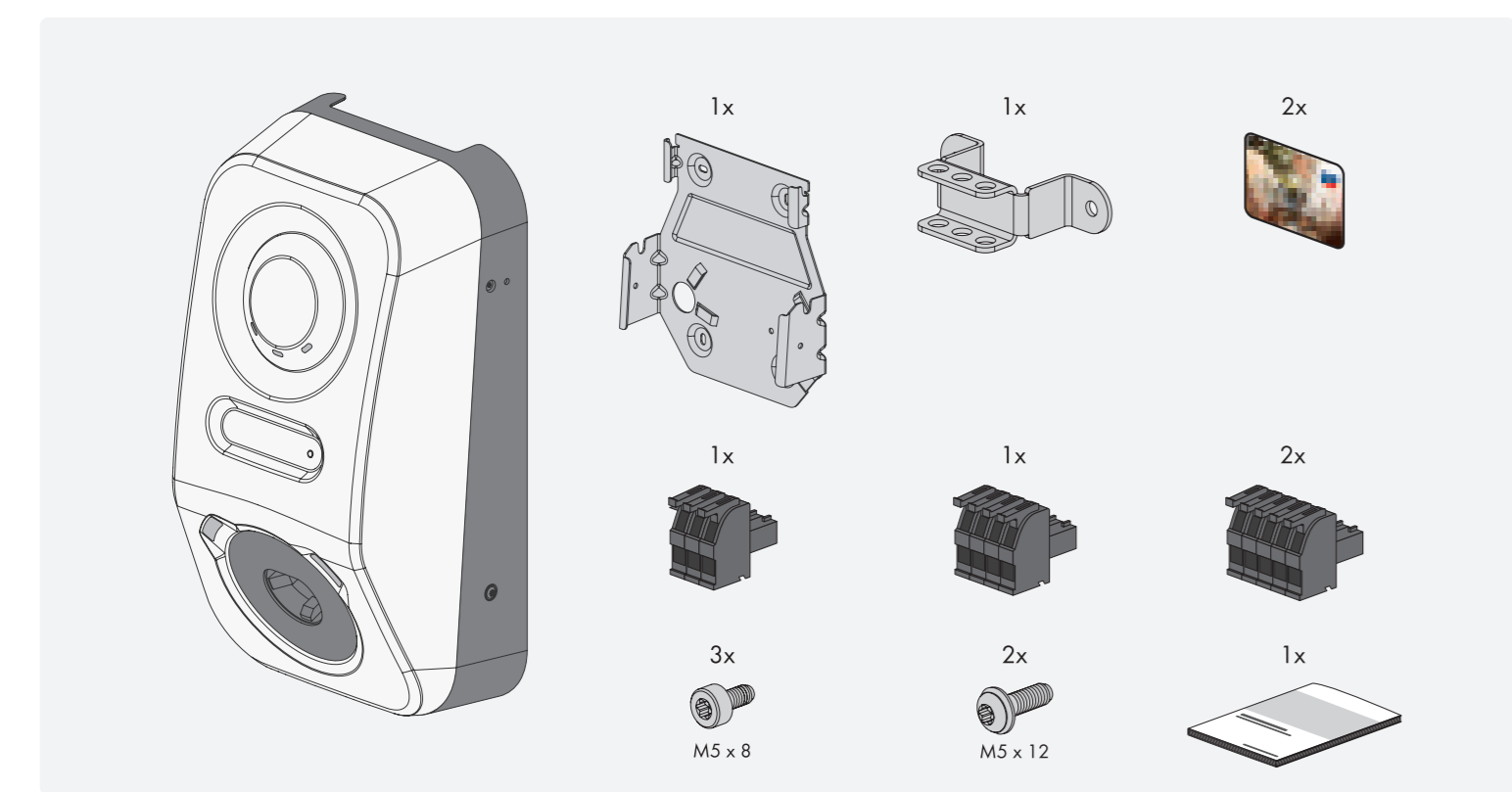




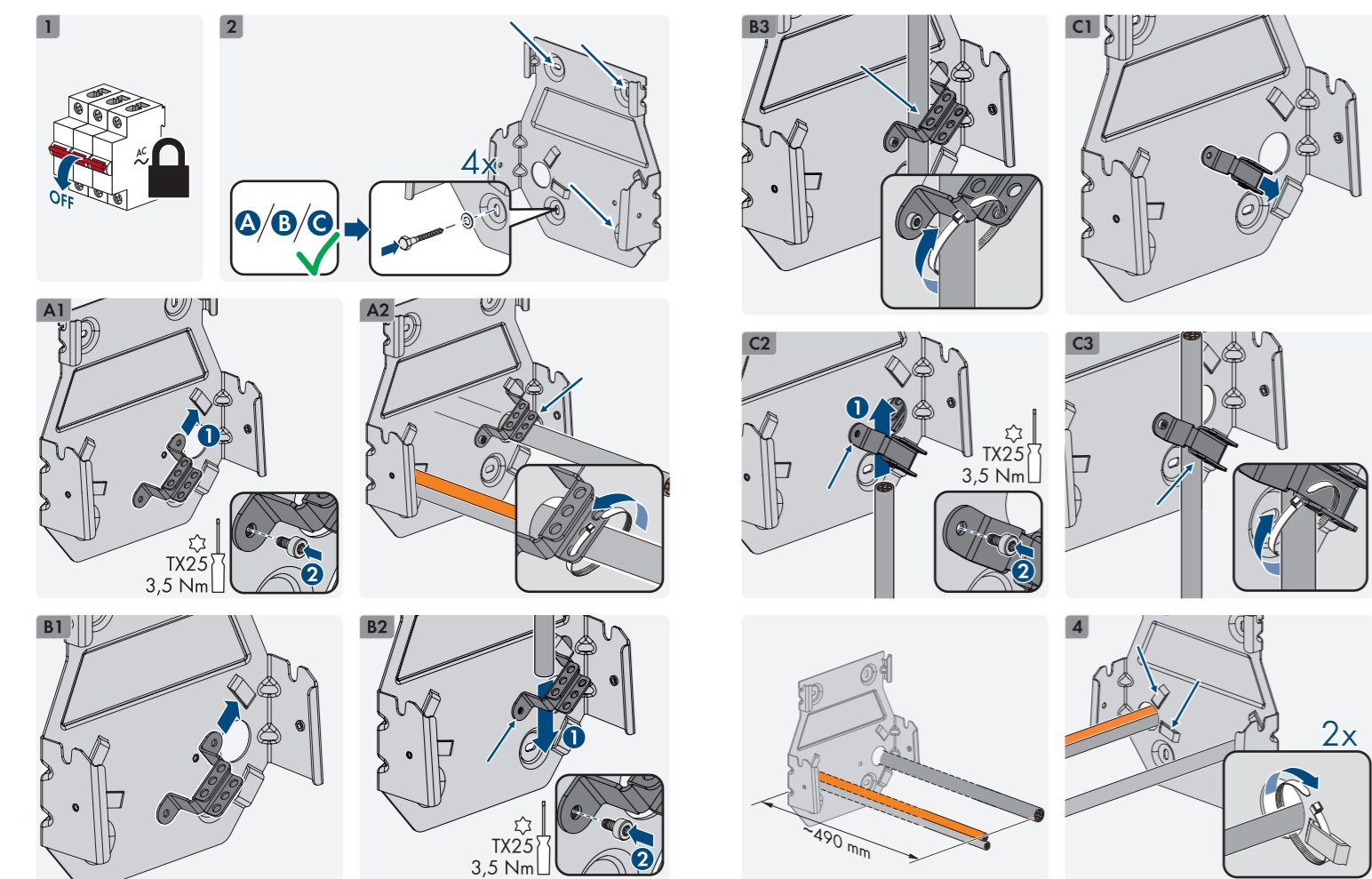
# SMA eCharger 22

EVC22-3AC-20

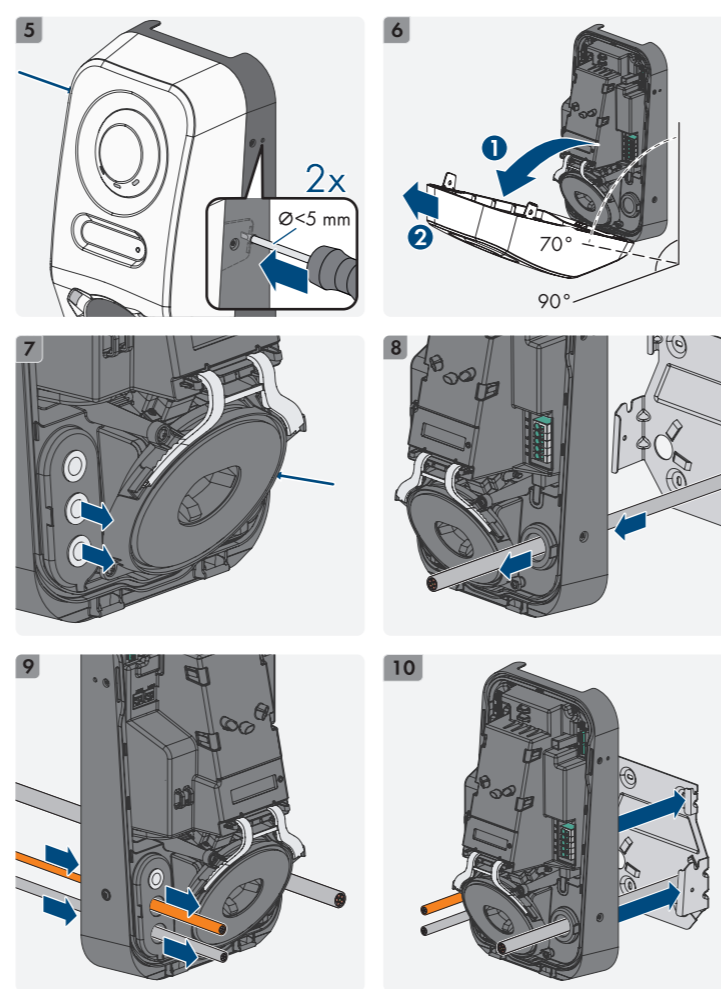
## 1



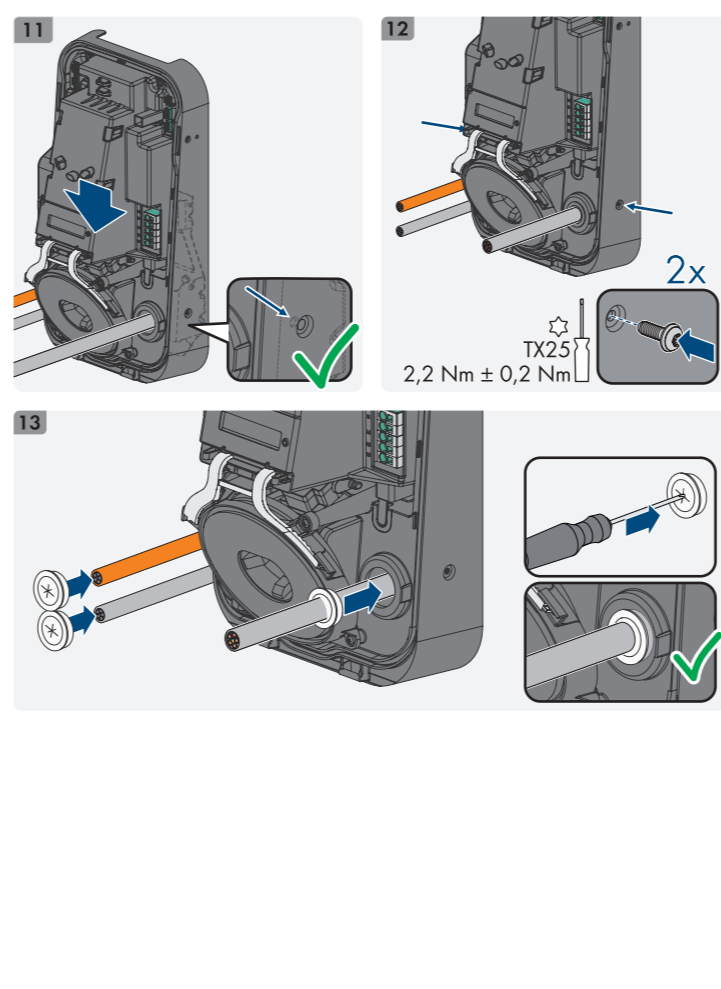
## 5



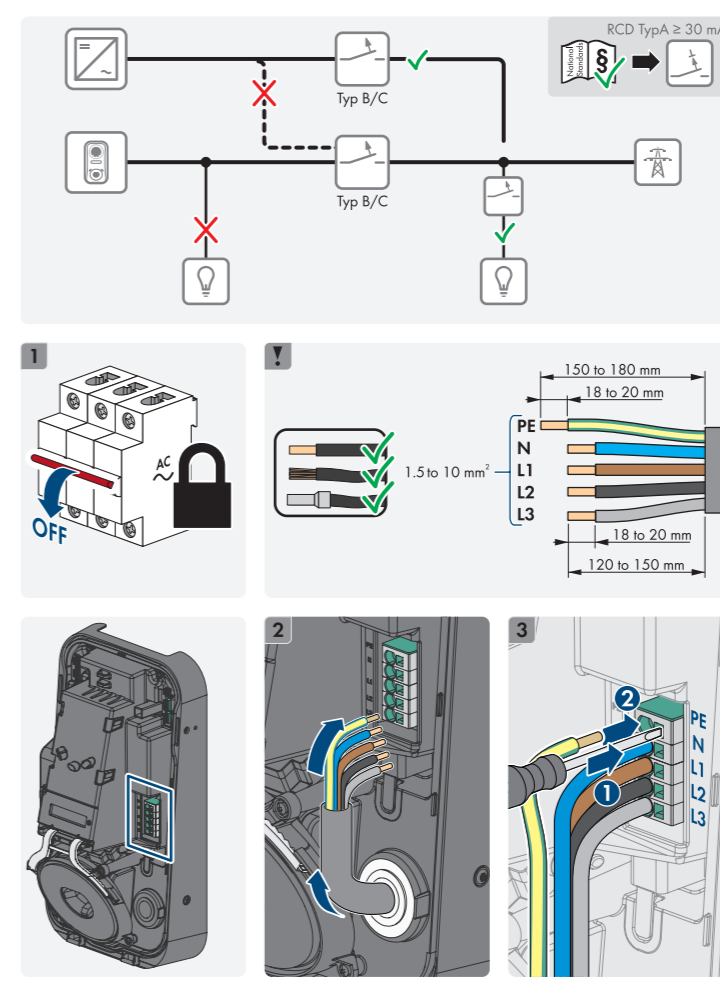
## 5



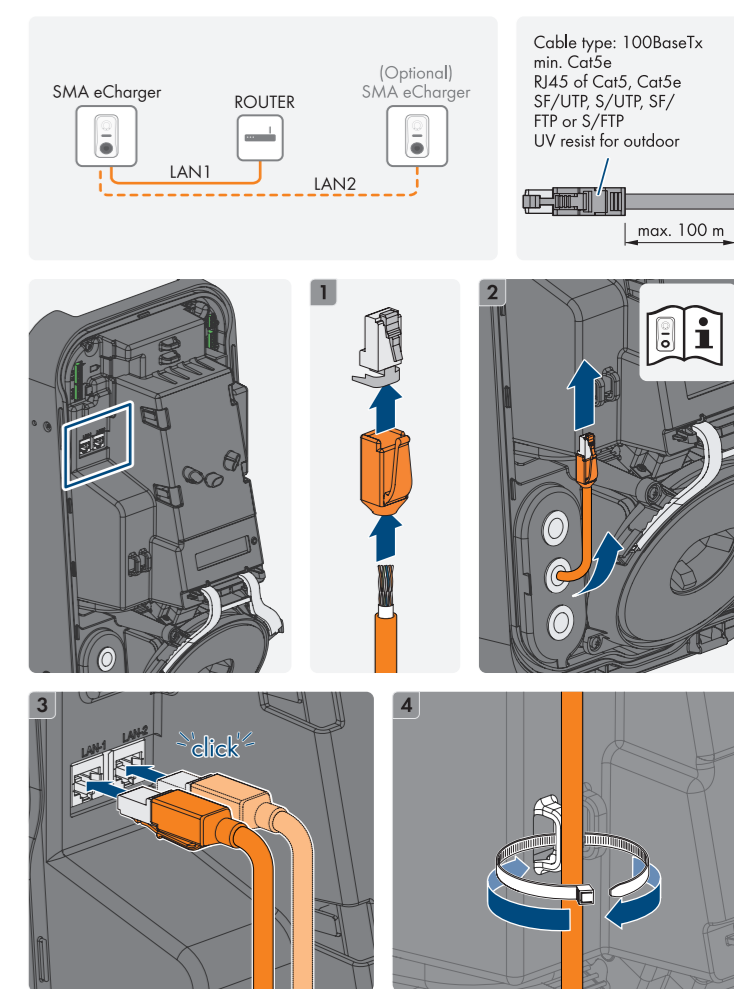
## 5

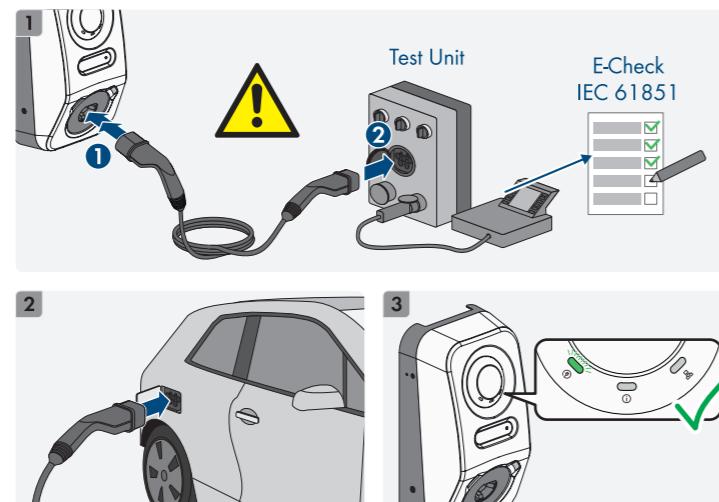
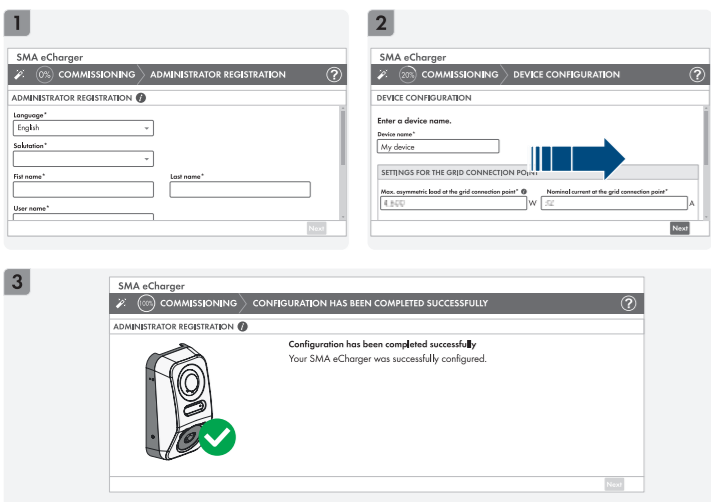
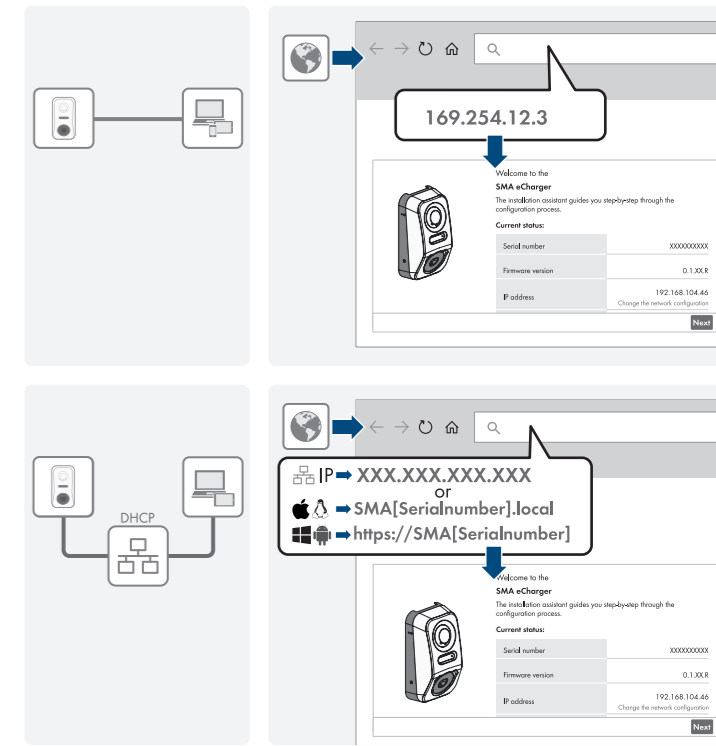
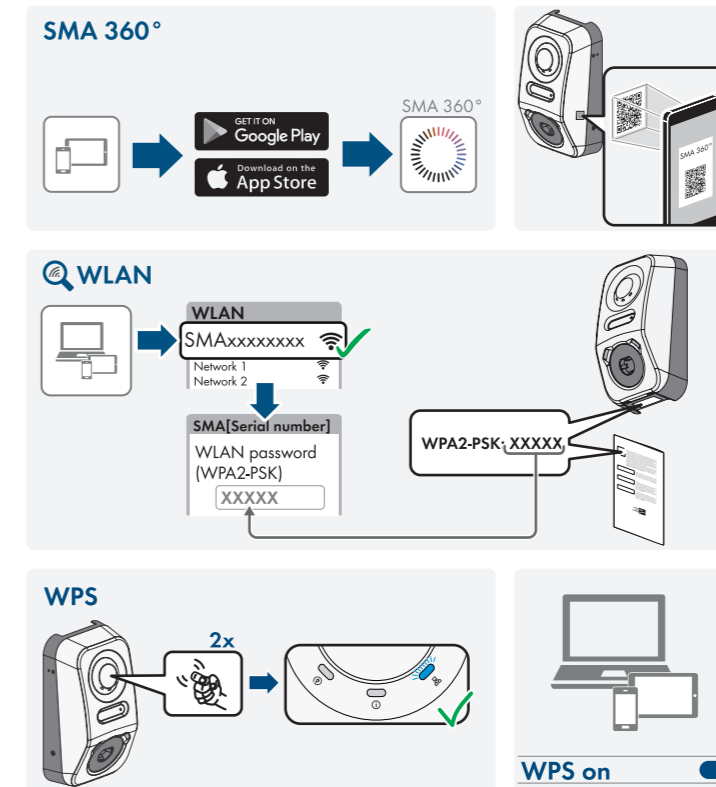
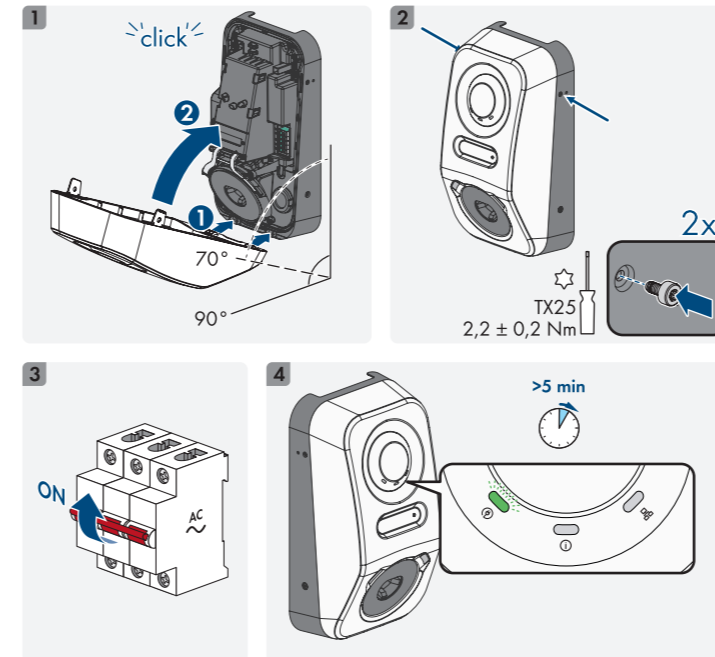
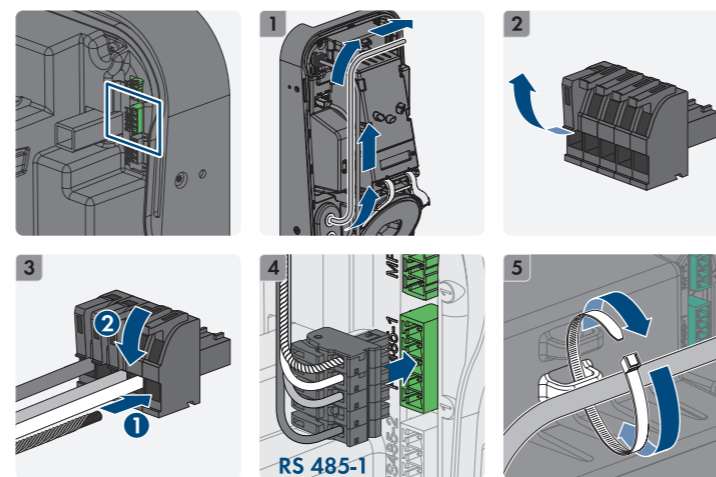
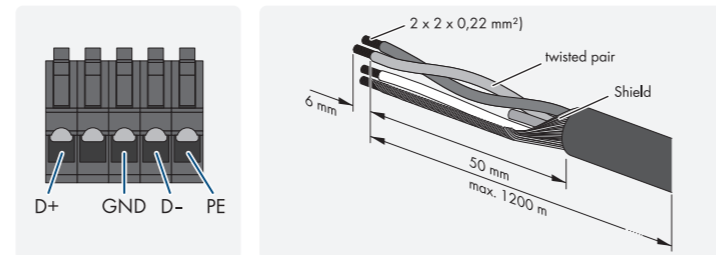
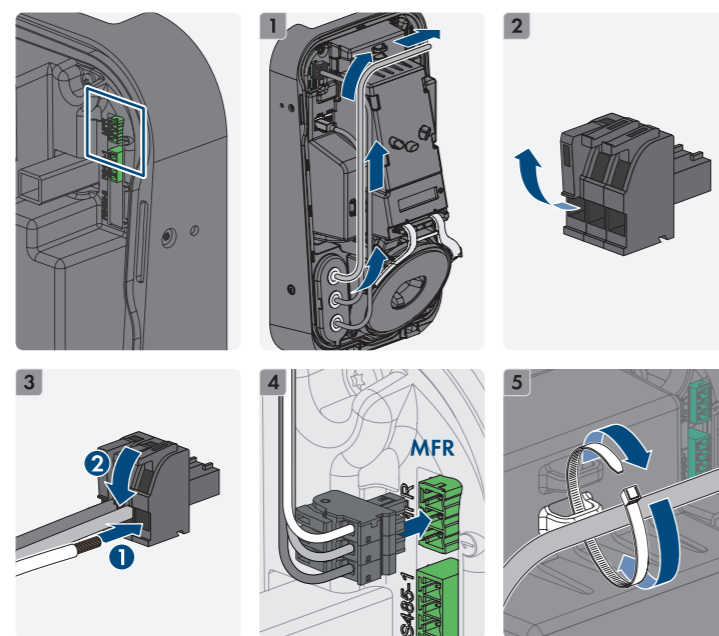
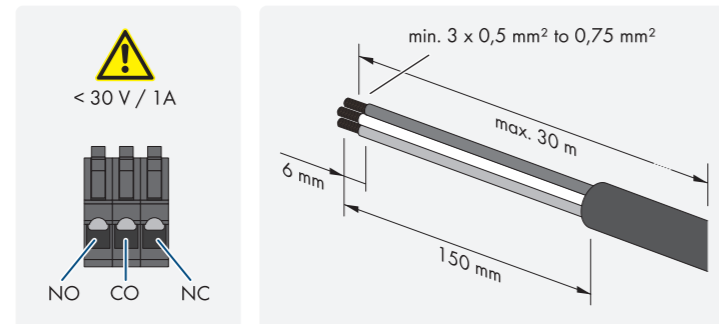
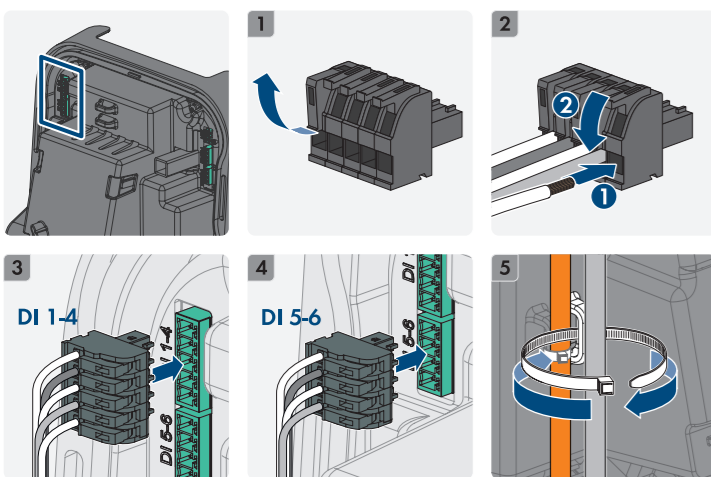
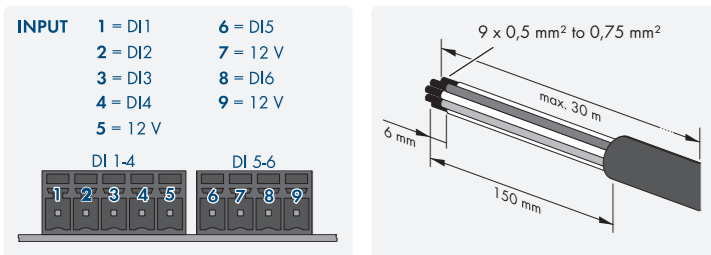


## 6



## 7





Maximum connected load (Mode 3)	1,38 kW to 22 kW (configurable)
Nominal voltage	1N <sup>~</sup> , AC, 230 V / 3N <sup>~</sup> , AC, 400 V
Nominal frequency	50 Hz / 60 Hz
Rated current	max. 32 A per phase
DC residual current detection (integrated)	6 mA
Type of charge point	Typ 2 charging socket
Grid configurations	TN / TT / IT
Degree of protection (in accordance with IEC 60529) / impact resistance	IP 54 / IK 10
Protection class (in accordance with IEC 62103) / Overvoltage category	I / III



<https://go.sma.de/service>