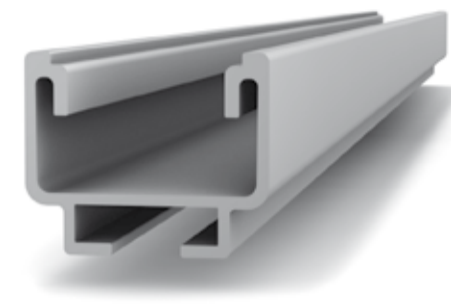


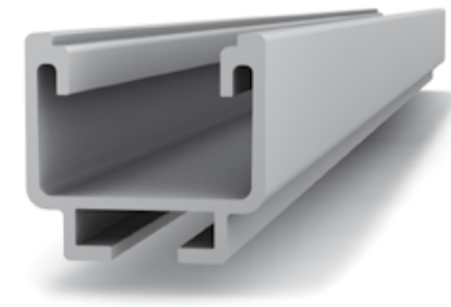
Mounting systems for solar technology

SolidRail UltraLight 32



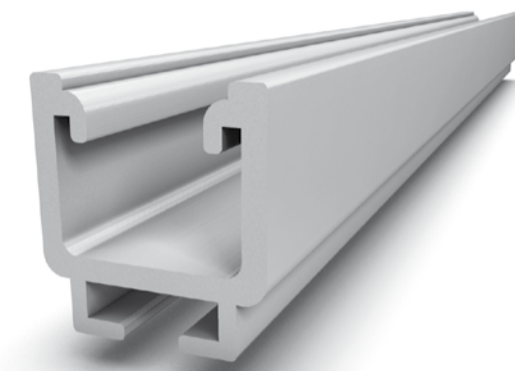
Span width: 139 cm
 Height: 32 mm
 Lengths: 2,10 | 3,15 | 4,15 | 6,10 m
 Weight: 0,7 kg/m
 I_y : 25788 mm⁴
 I_z : 55064 mm⁴
 W_y : 1558 mm³
 W_z : 2823 mm³

SolidRail Light 37



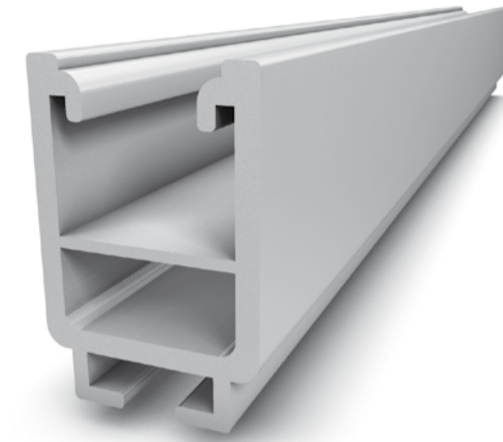
Span width: 157 cm
 Height: 37 mm
 Lengths: 2,10 | 3,15 | 4,15 | 6,10 m
 Weight: 0,85 kg/m
 I_y : 43450 mm⁴
 I_z : 69576 mm⁴
 W_y : 2232 mm³
 W_z : 3522 mm³

SolidRail Medium 42



Span width: 187 cm
 Height: 42 mm
 Lengths: 2,10 | 3,15 | 4,15 | 6,10 m
 Weight: 1,3 kg/m
 I_y : 83865 mm⁴
 I_z : 110435 mm⁴
 W_y : 3925 mm³
 W_z : 5384 mm³

SolidRail Alpin 60



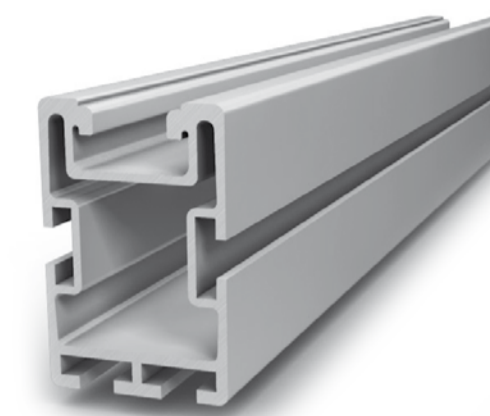
Span width: 230 cm
 Height: 60 mm
 Lengths: 6,10 m
 Weight: 1,7 kg/m
 I_y : 230446 mm⁴
 I_z : 154584 mm⁴
 W_y : 7511 mm³
 W_z : 7539 mm³

SolidRail LS 85



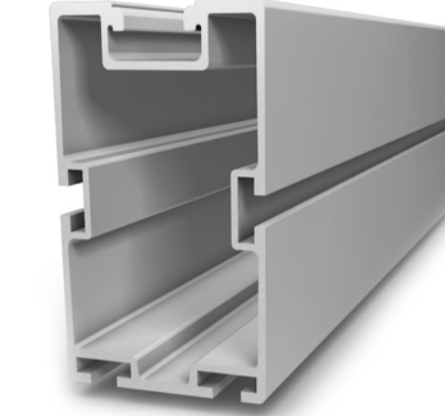
Span width: 445 cm
 Height: 85 mm
 Lengths: 6,00 m
 Weight: 2,95 kg/m
 I_y : 917685 mm⁴
 I_z : 488259 mm⁴
 W_y : 21535 mm³
 W_z : 17428 mm³

SolidRail L 85



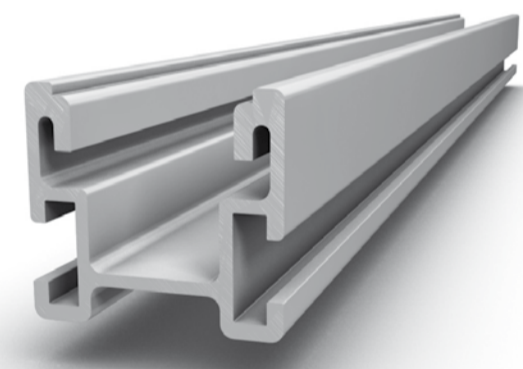
Span width: 450 cm
 Height: 85 mm
 Lengths: 6,00 m
 Weight: 3,368 kg/m
 I_y : 980809 mm⁴
 I_z : 505226 mm⁴
 W_y : 23865 mm³
 W_z : 18766 mm³

SolidRail XL 140



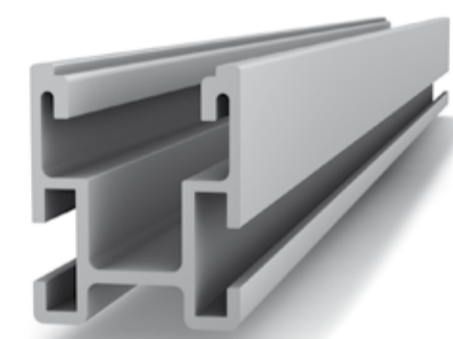
Span width: 690 cm
 Height: 140 mm
 Lengths: 6,00 m
 Weight: 4,96 kg/m
 I_y : 4747468 mm⁴
 I_z : 1702705 mm⁴
 W_y : 66573 mm³
 W_z : 42567 mm³

CrossRail 36



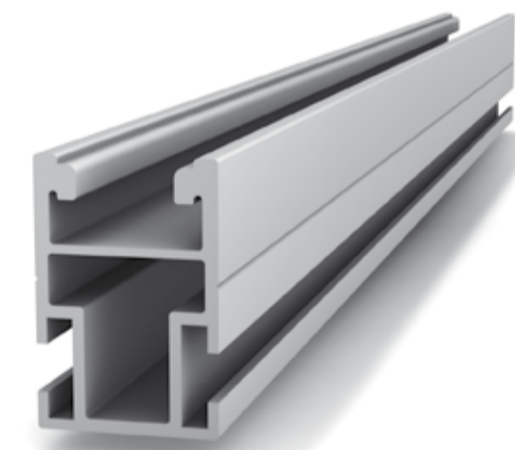
Span width: 161 cm
 Height: 36 mm
 Lengths: 2,10 | 3,15 | 4,15 | 6,10 m
 Weight: 0,96 kg/m
 I_y : 45751 mm⁴
 I_z : 78284 mm⁴
 W_y : 2403 mm³
 W_z : 3963 mm³

CrossRail 48



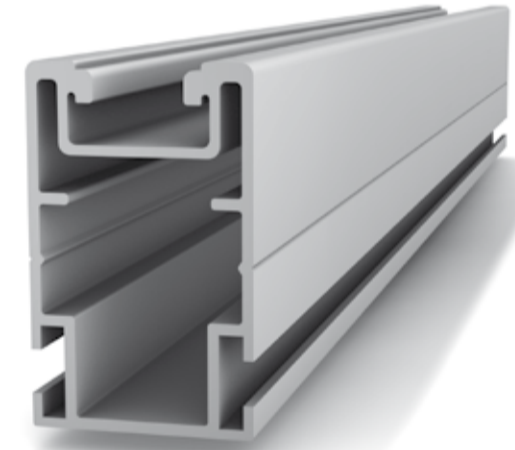
Span width: 184 cm
 Height: 48 mm
 Lengths: 6,10 m
 Weight: 1,24 kg/m
 I_y : 105670 mm⁴
 I_z : 98301 mm⁴
 W_y : 4040 mm³
 W_z : 4977 mm³

CrossRail 62



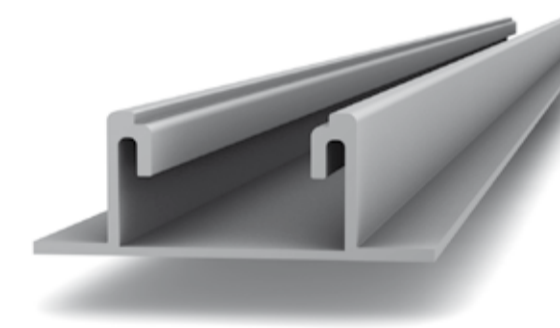
Span width: 290 cm
 Height: 62 mm
 Lengths: 6,10 m
 Weight: 2,03 kg/m
 I_y : 305049 mm⁴
 I_z : 182244 mm⁴
 W_y : 9739 mm³
 W_z : 8678 mm³

CrossRail 90



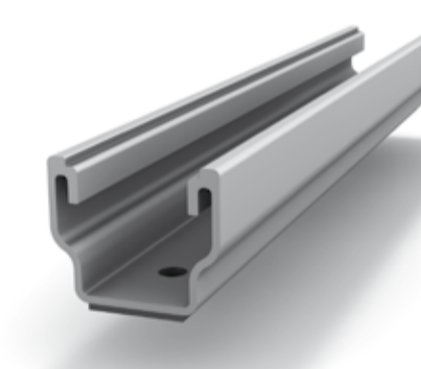
Span width: 450 cm
 Height: 90 mm
 Lengths: 6,10 m
 Weight: 3,07 kg/m
 I_y : 1101128 mm⁴
 I_z : 511820 mm⁴
 W_y : 23065 mm³
 W_z : 18279 mm³

SpeedRail 22



Span width: 105 cm
 Height: 22,5 mm
 Lengths: 2,10 | 3,15 | 4,15 | 6,10 m
 Weight: 0,64 kg/m
 I_y : 15280 mm⁴
 I_z : 77386 mm⁴
 W_y : 1087 mm³
 W_z : 2455 mm³

MultiRail



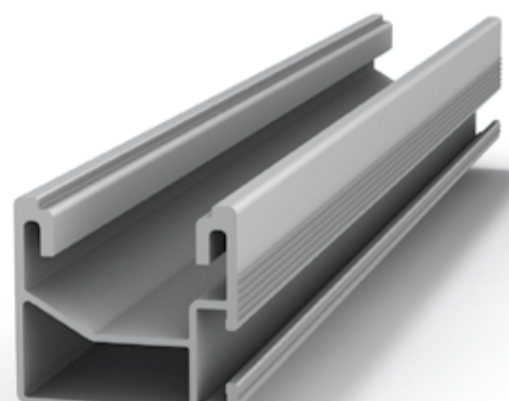
Height: 32 mm
 Lengths: 0,10 | 0,20 | 0,40 | 4,20 m
 Weight: 0,58 kg/m
 I_y : 26604 mm⁴
 I_z : 47383 mm⁴
 W_y : 1654,2 mm³
 W_z : 2429 mm³

MiniRail

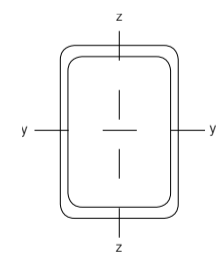


Height: 20 mm
 Lengths: 0,40 m
 Weight: 0,675 kg/Stück
 I_y : 15468 mm⁴
 I_z : 198430 mm⁴
 W_y : 1390 mm³
 W_z : 4566 mm³

SingleRail 36



Span width: 135 cm
 Height: 36 mm
 Lengths: 2,10 | 3,15 | 4,15 | 6,10 m
 Weight: 0,76 kg/m
 I_y : 39700 mm⁴
 I_z : 62600 mm⁴
 W_y : 2110 mm³
 W_z : 3080 mm³



Definition of axes: I = geometrical moment of inertia; W = axial section modulus |

*Span width: The rail span follows from an 100 percent utilisation in the elastic-plastic calculation to K2 standard conditions. The K2 standard conditions for span calculations consist of: Height above sea level: 400 m | Roof pitch: 30 ° | max. Snow load 0,650 kN/m² (equiv. UK Snow Load Zone IV) | max. Wind Load 1,05 kN/m² (equiv. Wind Speed 22,7 m/s) | Distance to Shoreline: >10000 m | Terrain Category: Rural Area | Building height: max. 10 m | Rail as continuous beam (3 fields) | Central Roof Area | Weight of Solar Module: 20 kg | Solar module: 1650 x 810 mm. Regardless of the specified standard conditions, all K2 rails can generally be used in all snow and wind load zones. All aluminum profiles are made of AL EN AW 6063 T66.



Please refer to <http://www.k2-systems.com/downloads/certificates.html> to download our quality and product certificates.