

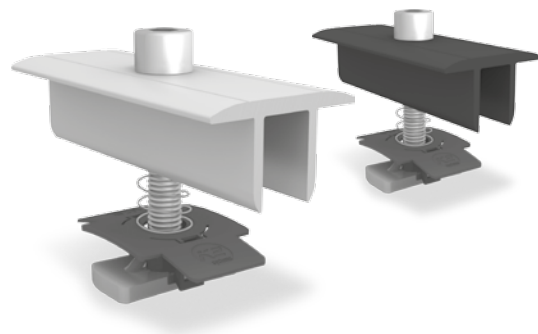
- ▶ Module clamps
- ▶ Self-drilling wood screw, flange head
- ▶ Self-tapping hexagon screw with sealing washer
- ▶ T-bolt and flange nuts with serration
- ▶ MK2 slot nuts with assembly clip
- ▶ Self-drilling wood screw, flange head, underhead secondary thread
- ▶ Self-drilling wood screw, countersunk head
- ▶ Screw anchor, Multi Monti
- ▶ CrossRail/SingleRail End Caps
- ▶ SolidRail End Caps
- ▶ Lightning protection clamp Multi Sets
- ▶ TerraGrif equipotential bonding
- ▶ Pad spacer
- ▶ Height Compensator for aluminium roof hooks
- ▶ Cable clips

MODULE CLAMPS

Our module clamps can be easily mounted to any K2 rail. The MK2 slot nut automatically locks in place and can be moved in the rail by pressing lightly on the Allen bolt.

Module middle clamps XS

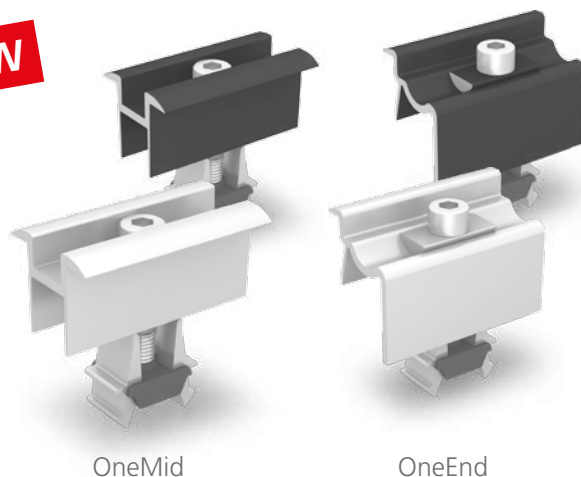
Module frame height / description	Item number
30-33 mm/M8×50, aluminium mill finish	1005156
30-33 mm/M8×50, black anodised	1005157
39-44 mm/M8×60, aluminium mill finish	1004908
39-44 mm/M8×60, black anodised	1005159
45-48 mm/M8×65, aluminium mill finish	1005143
45-48 mm/M8×65, black anodised	1005160
49-50 mm/M8×70, aluminium mill finish	1004407
49-50 mm/M8×70, black anodised	1005161



Universal module clamps OneMid and OneEnd

NEW

These module clamps are suitable for the most common module frame heights of 32-42 mm. Compatible with SingleRail, CrossRail, SpeedRail, Multi-Rail, KoverRail, SolidRail plus S- and D-Dome.

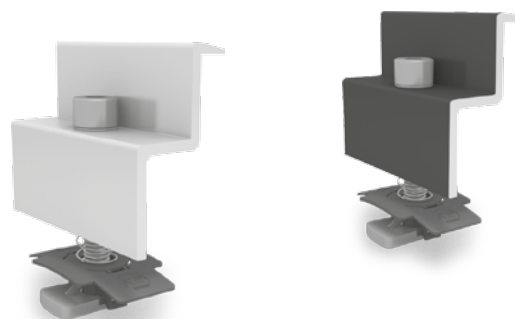


OneMid

OneEnd

Description	Item number
OneMid, mid clamp, aluminium mill finish	2002515
OneMid, mid clamp, black anodised	2002588
OneEnd, end clamp, aluminium mill finish	2002514
OneEnd, end clamp, black anodised	2002589

Module end clamps



Module frame height / description	Item number
30-31 mm/M8x30, aluminium mill finish	1005345
30-31 mm/M8x30, black anodised	1005347
42-44 mm/M8x35, aluminium mill finish	1005291
42-44 mm/M8x35, black anodised	1005295
45-47 mm/M8x40, aluminium mill finish	1005171
45-47 mm/M8x40, black anodised	1005270
48 mm/M8x40, aluminium mill finish	1005292
48 mm/M8x40, black anodised	1005296
49-50 mm/M8x45, aluminium mill finish	1005172
49-50 mm/M8x45, black anodised	1005271

Module clamps for laminate modules

Module middle clamps for fastening laminate modules; approved for First Solar and Calyxo thin-film modules; small module spacing. Material: Aluminium mill finish, EPDM

Please note: For additional anti-slip protection the K2 Slideguard is suitable for vertical mounting of laminate modules with a glass thickness of 6-9 mm. Material: Stainless steel 1.4016, EPDM



Type / accessory	Item number
Module middle clamp	1003157
Module end clamp	1003158
Slideguard	1005828

SELF-DRILLING WOOD SCREW, FLANGE HEAD

Self-drilling wood screw with flange head (Topix) and star socket (Torx) from Heco. With European Technical Assessment (ETA) approval. Material: Stainless steel A2, matches TX 25/40 screwdrivers

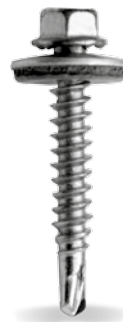
Type	Item number
6x80	1005837
6x100	1004978
8x80	1000642
8x100	1000656
8x120	1001525
8x160	1002366
8x180	1002367



SELF-TAPPING HEXAGON SCREW WITH SEALING WASHER

Approved for steel sheets with a minimum thickness of 0.5 mm and aluminium sheets with a minimum thickness of 0.7 mm (MiniRail 0.5 mm). Material: Stainless steel A2, EPDM

Type	Item number	
Drilling screw, SW 8, sealing washer Ø 16 mm	6 x 25 mm	1000212
	6 x 36 mm	1001622
	Thin sheet screw, virtually chip-free, SW 8, sealing washer Ø 16 mm	6 x 25 mm
	6 x 38 mm	1005193



Drilling screw



Thin sheet screw

T-BOLT AND FLANGE NUTS WITH SERRATION

T-bolt for use in the lower chamber of K2 SolidRail rails. Head form: 28/15; head dimensions: 22.5 x 10.5 x 4 mm Material: Stainless steel A2 1.4301

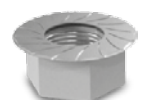
Type	Item number
M10x20	1000637
M10x30	1000041
M8x20/30	1000614/1000368



The flanged nut with serration (similar to ISO 4161) prevents it from loosening.

Material: Stainless steel A2

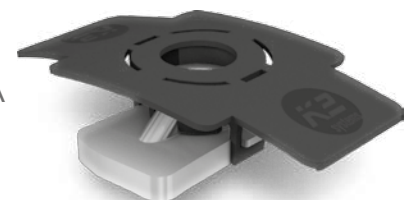
Type	Item number
M8	1000043
M10	1000042



MK2 SLOT NUTS WITH ASSEMBLY CLIP

The MK2 slot nuts lock into place and can be readjusted at any point on the K2 rails by pressing lightly.

Material: Stainless steel 1.4301, PA
Item number: 1001643



SELF-DRILLING WOOD SCREW, FLANGE HEAD, UNDERHEAD SECONDARY THREAD

Self-drilling wood screw (Heco) with flange head (Topix) and star socket (Torx). With building approval. For mounting with over-rafter insulation. Fixes the counterbattens in place using a second screw thread under screw head. Material: Stainless steel A2; matches TX 40 screwdrivers



Type	Item number
8 x 240	1003437
8 x 300	1003438
8 x 360	1003439

SELF-DRILLING WOOD SCREW, COUNTERSUNK HEAD

Self-drilling wood screw with countersunk head (Heco). With building approval. Material: Stainless steel A2; matches TX 25 screwdrivers



Type	Item number
6 x 120	1004443
6 x 160	1001607

SCREW ANCHOR, MULTI MONTI

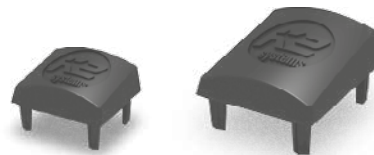
Multi Monti screw anchor (Heco) for fastening to concrete; min. borehole depth 40 mm. Steel surface: galvanised and blue passivated, head diameter 17 mm, nominal bore diameter 6 mm
Material: galvanised steel
Drive: TX 30



CROSSRAIL / SINGLERAIL END CAPS

End caps for K2 CrossRail and SingleRail.
Material: Glass fibre reinforced polyamide

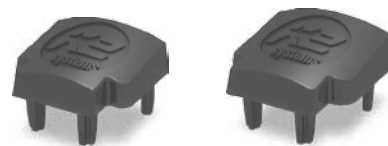
Type	Item number
CrossRail/SingleRail 36	1004767
CrossRail 48	1004768



SOLIDRAIL END CAPS

End caps for K2 SolidRail.
Material: Glass fibre reinforced polyamide

Type	Item number
Light	1004765
Medium	1004766
Alpine	1005053



LIGHTNING PROTECTION CLAMP MULTI SETS

Lightning protection clamp for clamping lightning protection cables with Ø 8 mm.
For universal use as a T cross, parallel and impact clamps. Material: aluminium



Image	Type	Components	Item number
	Lightning protection clamp Multi Alu 8 mm Set	<ul style="list-style-type: none"> Lightning protection clamp Multi (1003151), aluminium Slot nut (1001643), stainless steel, PA Washer (8,4 × 20 × 1.2 mm), stainless steel A2 Allen Bolt (M8×30), stainless steel A2 	2002473
	Lightning protection clamp 8mm Double Set	<ul style="list-style-type: none"> 2× lightning protection clamps Multi (1003151), Aluminium Hexagon flange nut with serration M8 (100043); stainless steel A2 2× washers (8.4 × 20 × 1.2 mm), stainl. steel A2 Allen Bolt (M8×40), stainless steel A2 	2002474

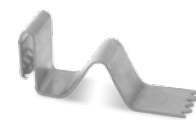
TERRAGRIF EQUIPOTENTIAL BONDING

Equipotential bonding between module and rail.
Material: Stainless steel

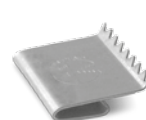
Type	Item number
TerraGrif K2MI Landscape/Portrait	2002649
TerraGrif K2PA 32 Landscape	2000055
TerraGrif U17 Portrait	2000056
TerraGrif K2SZ Landscape/Portrait	2001881



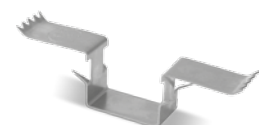
K2MI



K2PA



U17



K2SZ

PAD SPACER

PA spacer shim to compensate for height differences when mounting K2 roof hooks with screw threads and K2 rails (except SolidRail).

Any number of spacer shims can be stacked to provide customised height.

Material: Glass fibre reinforced PA

Material thickness: 2 mm

Item no.: 1002361



HEIGHT COMPENSATOR FOR ALUMINIUM ROOF HOOKS

To compensate for batten differences so that the bracket height of each roof hook can be individually adjusted.

Material: Aluminium

Material thickness: 4 mm

Item no.: 2002332



CABLE CLIPS

Type	Item number
Omega Cable Clip Suitable for CrossRail, SingleRail, SolidRail, S-Rock 4 cables with Ø 6 mm Material: Polypropylene with UV stabiliser	1005394
Cable Routing Clip Suitable for clamping in module frames with a thickness of 1.5-2.5 mm and S-Rock 4 cables with Ø 6 mm Material: Spring steel	2002322



Omega Cable Clip



Cable Routing Clip

