

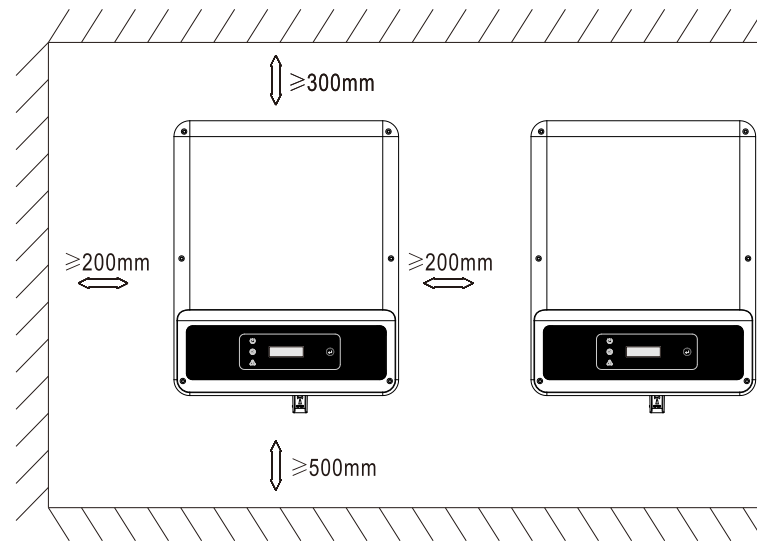
# Instructions for Fast Installation

## Single-phase Series



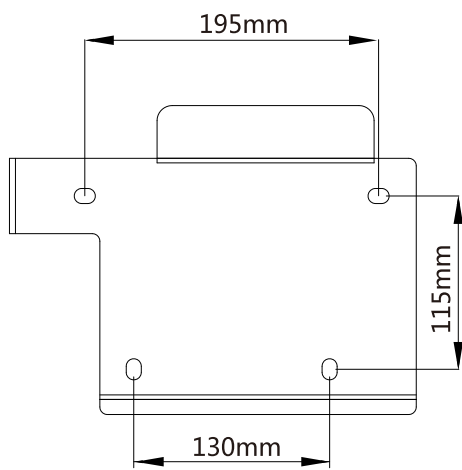
Warning: All fasteners must be locked tight. Otherwise water may flow in, resulting in machine failure. In such case warranty shall not be provided.

### A



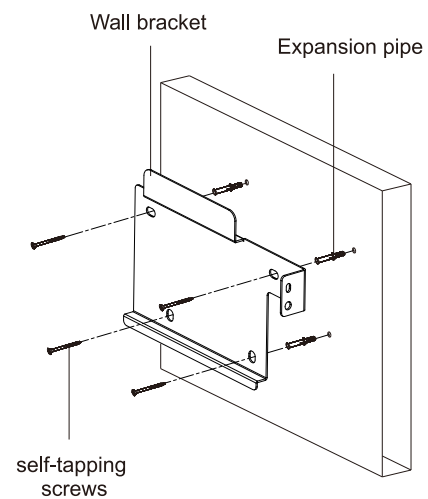
Installation space

### B



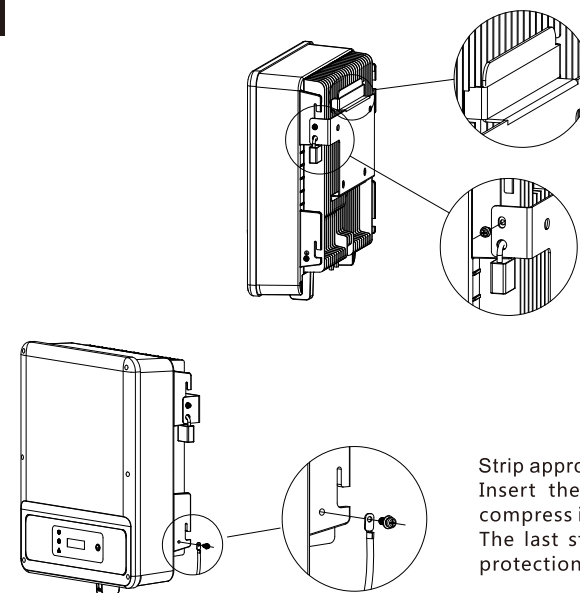
Dimensions for Drilling holes

### C



Fix the Wall bracket

### D



The lock is not involved in the package, need to be prepared by customer the mselves if needed

Strip appropriate length of ground insulation slices. Insert the stripped wire into the terminal and compress it tightly, lock earth wire to inverter. The last step, coat it with silicone for corrosion protection.

Installation

