

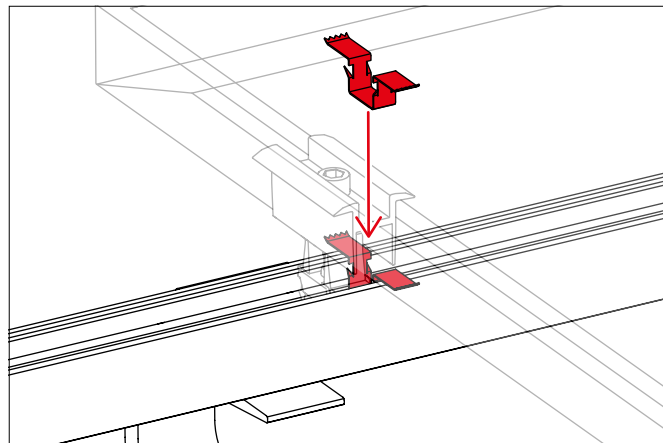
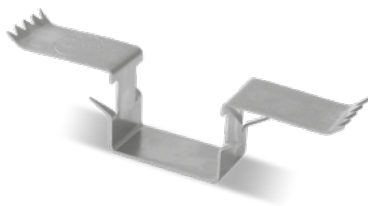
TerraGrif Applications

Equipotential bonding in K2 mounting systems



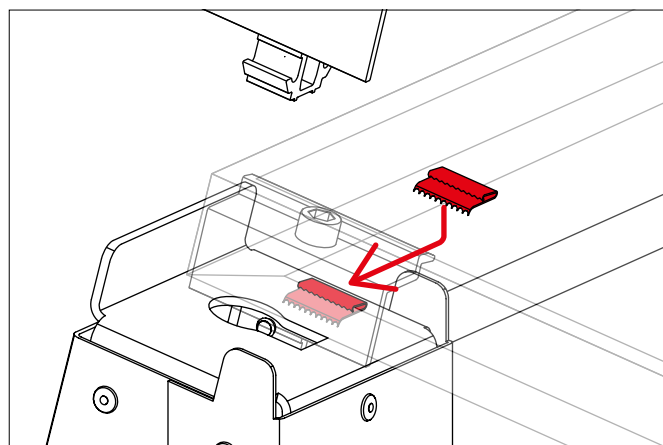
TerraGrif K2SZ: For most K2 pitched roof systems

- ▶ Simple fixation to the K2 mounting rail
- ▶ Position in the lower edge area of the module frame
- ▶ Not compatible with MiniRail or SpeedRail in landscape orientation



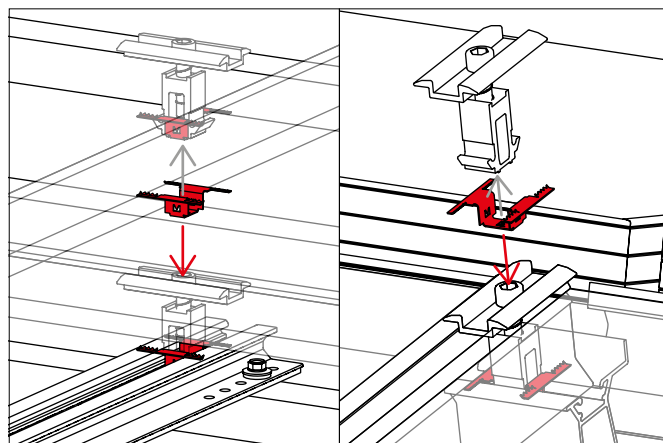
TerraGrif U17: Recommended for S-Rock

- ▶ Easy fixation to the lower edge of the module frame and compatible with most module types
- ▶ Position in the adjacent elevation area or mounting system component



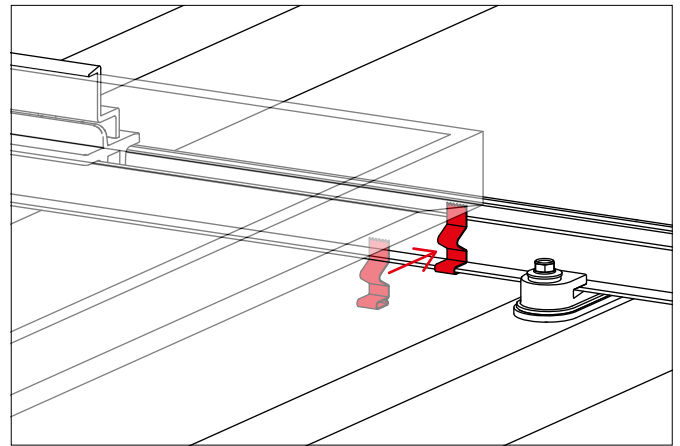
TerraGrif K2MI: The MiniClamp Solution

- ▶ Direct attachment to the module clamp MiniClamp
- ▶ K2MI connects 2 modules and is suitable for both portrait and landscape mounting
- ▶ Compatible with MiniRail, Dome V systems and MiniFive 5° elevation



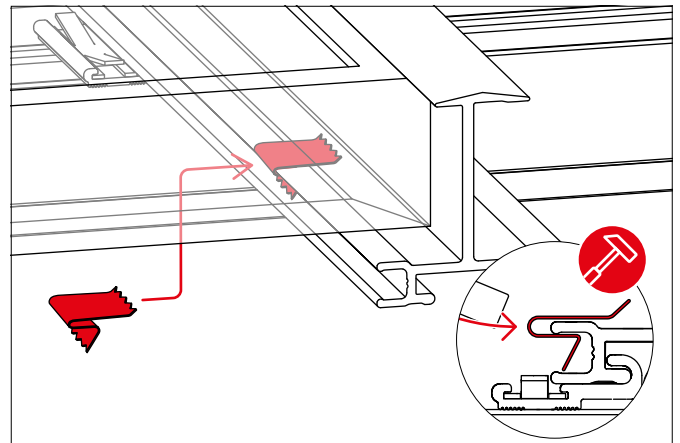
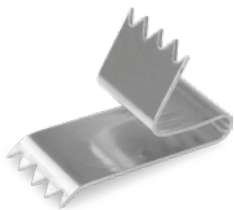
TerraGrif K2PA:
For SpeedRail systems in landscape orientation

- ▶ Quick fixation to the lower strut of the SpeedRail
- ▶ Free placement in the lower edge area of the module



TerraGrif S: Recommendation for the K2 Insertion System

- ▶ Fast fixation at the lower bar of the insertion rail
- ▶ Free positioning in the area of the module frame edge



Compatibility and technical data

	K2SZ	U17	K2MI	K2PA	S Insertion System
Image					
Compatibility					
SingleRail	●	○	○	○	○
SolidRail	●	○	○	○	○
Einlegeschiene	○	○	○	○	●
SpeedRail	●	○	○	●*	○
MiniRail	○	○	●	○	○
MultiRail	●	○	○	○	○
S-Rock	○	●	○	○	○
D-/S-Dome	●	○	○	○	○
D-/S-Dome V	○	○	●	○	○
Item number	2001881	2000056	2002649	2000055	2002397
Std. tolerance value	Standard DIN 2095 grade 2				
Material	Stainless steel 301 TA				
Norm	NFA 35573				
Weight [g]	3,2	1,8	3,6	2,4	1,5
Dim. W×H×D [mm]	10×16×60	20×5,8×17	40×11,7×36	10×31,7×12	10×13,5×21
Thickness [mm]	0,5				

● Compatible ○ Not tested ○ Not compatible

* Only for landscape orientation with AddOn.

www.k2-systems.com · +49 (0) 7159 42059-0

TerraGrif Assembly EN V6 | 0619 · Subject to change · Product illustrations are exemplary and may differ from the original.