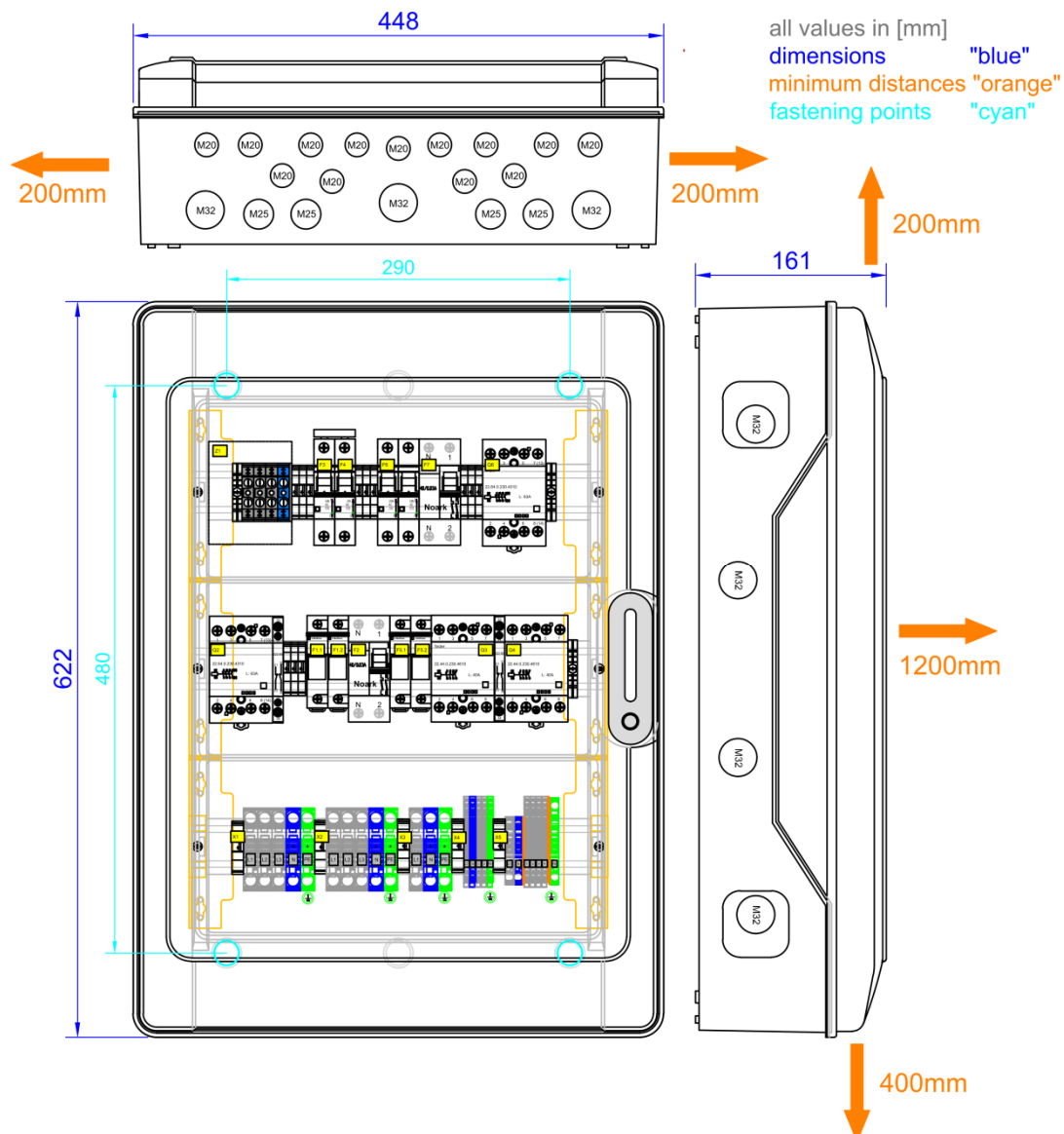


DATA SHEET

3PH-Battery-Backup-Distribution for 1x Sunny Island French/Southern European version

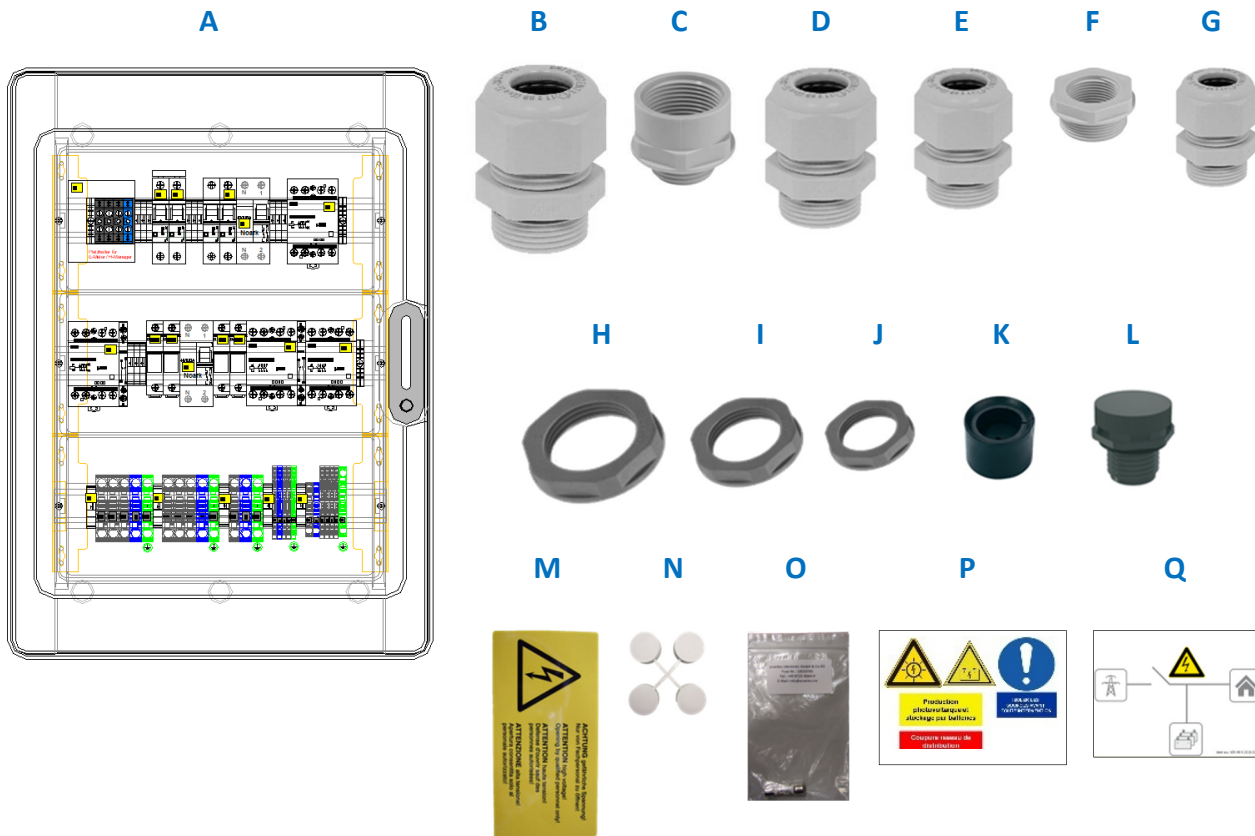
enwitec-order-number	10013728
Customer-article-number	
Type designation	Battery-Backup-Distribution 3PH - prepared for retrofitting SMA - Energy Meter/Home Manager 2.0
Match code	3PH_IPC_SMA.SI_BBDAP_20KW_1PH_PREP_FR_1.0
Application	Battery-Backup Function - SMA "Flexible Storage System"
Battery-inverter	Sunny Island 4.4M-12 / -13 from firmware-version 1.00.xx.R Sunny Island 6.0H-12 / -13 from firmware-version 1.00.xx.R Sunny Island 8.0H-12 / -13 from firmware-version 1.00.xx.R
Grid structure	TT or TN-S system - Three Phase Sunny Island feed in: 1 phase! (=1 x Sunny Island)



DATA SHEET

3PH-Battery-Backup-Distribution for 1x Sunny Island French/Southern European version

SCOPE OF DELIVERY

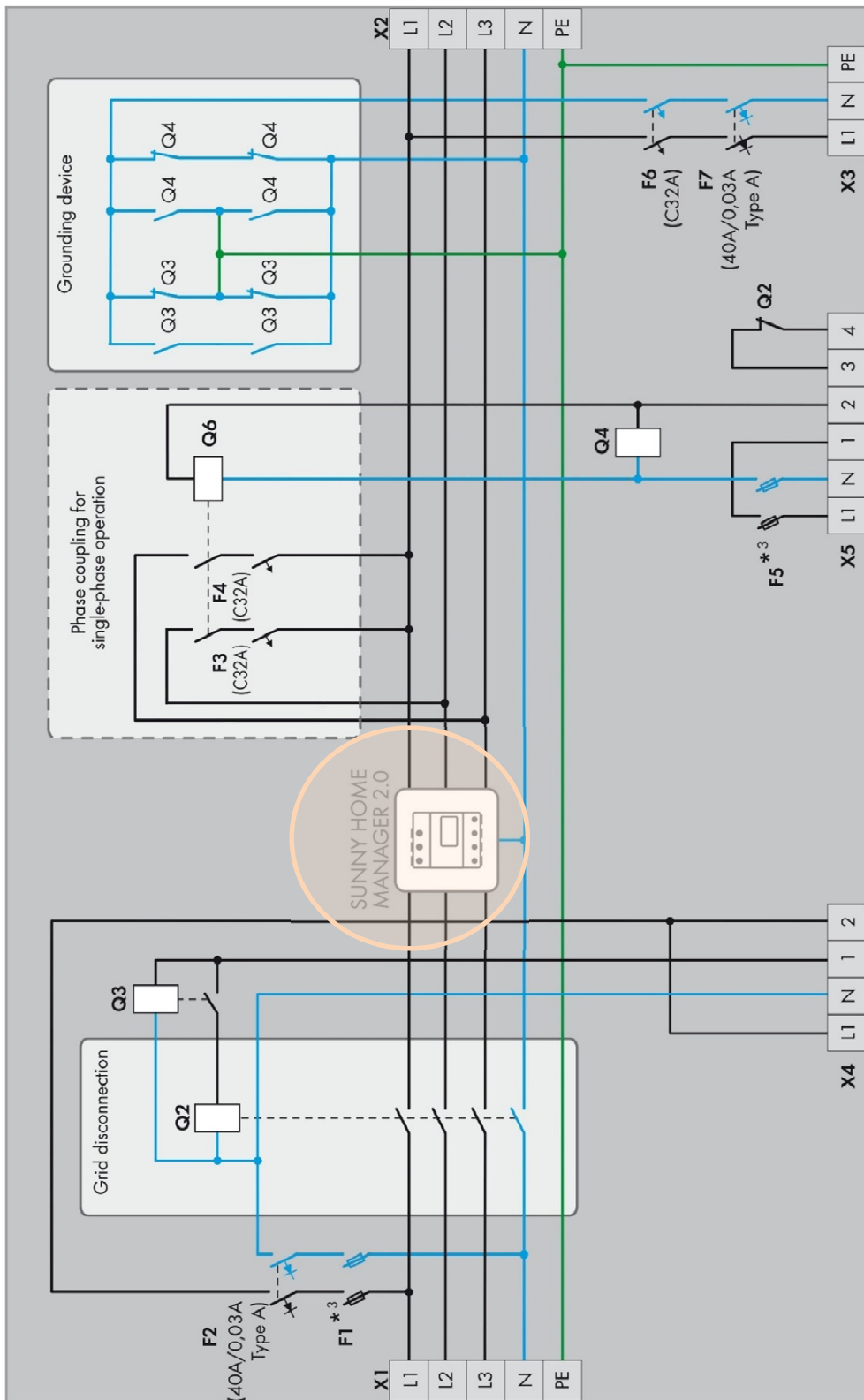


position	number	component
A	1	Battery Backup Distribution 10013728
B	2	Cable gland M40 x 1,5 (clamping range Ø 16 - 28mm)
C	2	Enlargement adaptor -M32 to M40-
D	3	Cable gland M32 x 1,5 (clamping range Ø 13 – 21mm)
E	2	Cable gland M25 x 1,5 (clamping range Ø 9 – 17mm)
F	1	Reduction adaptor -M20 to M12- (equalising membrane)
G	5	Cable gland M20 x 1,5 (clamping range Ø 6 – 13mm)
H	3	Locknut M32
I	2	Locknut M25
J	6	Locknut M20
K	1	Special sealing insert (CAT 5e cable „RJ45 Plug“ -M25-)
L	1	Equalising membrane
M	1	Warning-label “high voltage”
N	4	Cover caps for fastening screws
O	3	Ferrule-fuse 10x38mm (either Littelfuse #KLKD-1A; Fast Acting) or Bussmann #KTK-1A; Fast Acting) 4 pcs. inserted (Fuse-holders); 2 pc. as a spare-part
P	1	Warning label C15-712
Q	1	Label - image "with reference to an island mode system ability"

DATA SHEET

3PH-Battery-Backup-Distribution for 1x Sunny Island French/Southern European version

CIRCUIT DIAGRAM



*³ Requirements for thermal fuse used: 1 A, nominal cold resistance of at least 0.2 Ω and melting integral max. 1A²s.

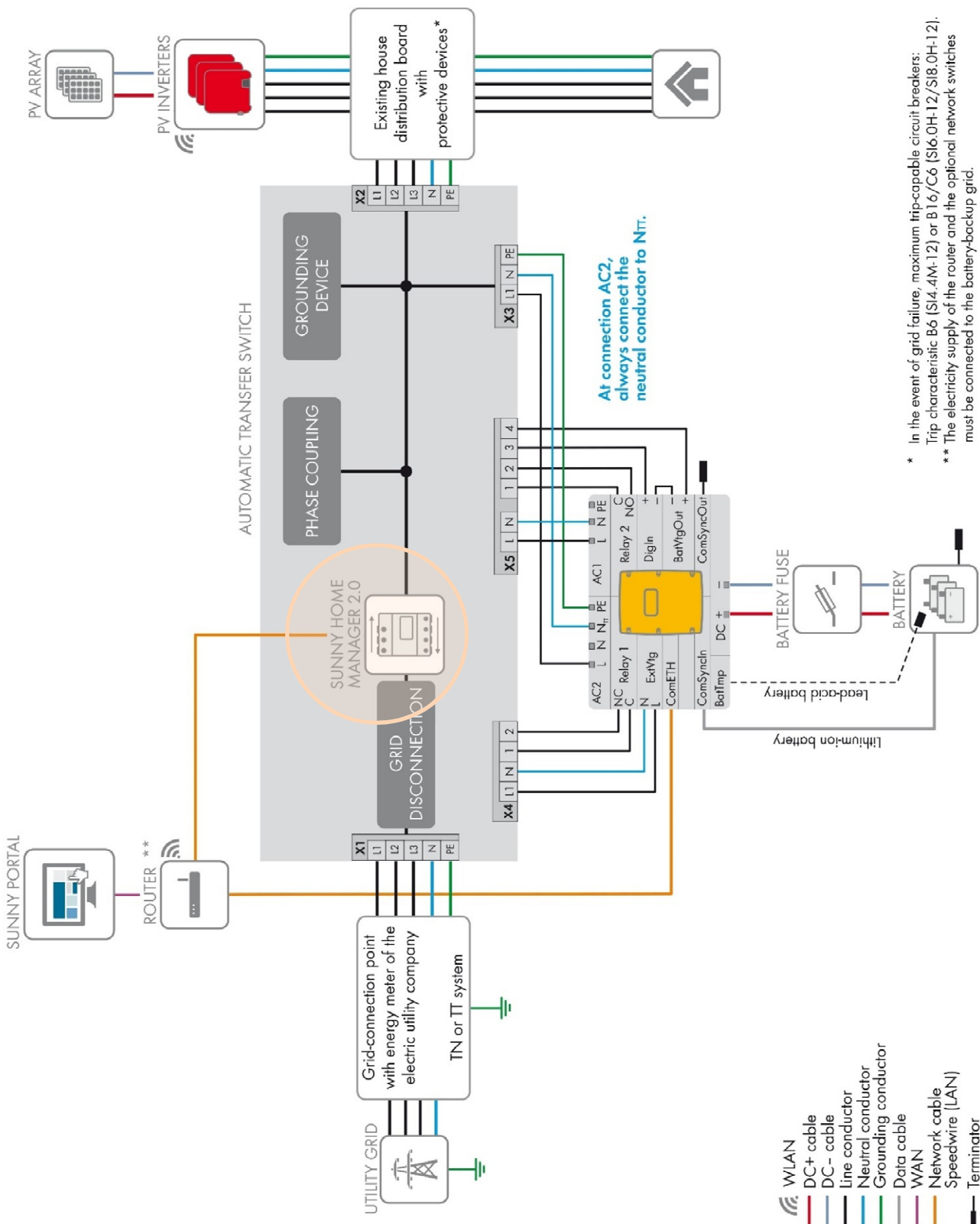


prepared for retrofitting: SMA - Energy Meter/Home Manager 2.0

DATA SHEET

3PH-Battery-Backup-Distribution for 1x Sunny Island French/Southern European version

CIRCUITRY OVERVIEW



prepared for retrofitting: SMA - Energy Meter/Home Manager 2.0

DATA SHEET

3PH-Battery-Backup-Distribution for 1x Sunny Island French/Southern European version

TECHNICAL DATA

Rated operating voltage AC	[V]	3PH - 230/400
Rated insulation voltage	[V]	400
Operating frequency	[Hz]	50/60+/-5%
Max. prospective short circuit current	[kA]	10
Permitted grid structure		TT / TN-S
Max. value of pre-fuses	[A]	63 A
Max. thermal power	[kW]	20
Standby-loss	[W]	ca. 11

Circuit breakers and fuses

F1.1 Ferrule fuse 10x38mm	1A; fast acting
F1.2 Ferrule fuse 10x38mm	1A; fast acting
F2 RCD (residual current protective device)	Type A /40A-0,03A
F3 MCB (circuit breaker - "C"-characteristic)	32A
F4 MCB (circuit breaker - "C"-characteristic)	32A
F5.1 Ferrule fuse 10x38mm	1A; fast acting
F5.2 Ferrule fuse 10x38mm	1A; fast acting
F6 MCB (circuit breaker - "C"-characteristic; 2pole)	32A
F7 RCD (residual current protective device)	Type A/40A-0,03A

Contactors

IEC/EN 61095; IEC/EN60947-1; IEC 60947-5-1	
Q2 „grid disconnection“	AC1 [A] 63
Q3 „grounding device I“	AC1 [A] 40
Q4 „grounding device II“	AC1 [A] 40
Q6 "phase coupling"	AC1 [A] 63
Control voltage	230V AC/DC
Hum-free	yes

Connections/terminals (spring-loaded terminals)

Terminal block	Wire type	Cross section [mm²] max.	Stripping length [mm]	Ferrule
X1/X2/X3	solid	16	18-20	-
	stranded	25		-
	stranded	16		yes
X4	solid	2,5	8-9	-
	stranded	2,5		-
	stranded	2,5		yes
X5 (L1/N/PE)	solid	10	13-15	-
	stranded	10		-
	stranded	6		yes
X5 (1/2/3/4)	solid	2,5	8-9	-
	stranded	2,5		-
	stranded	2,5		yes

Cable glands

Terminal block	Size (metrical)	Clamping range [mm]
X1	M32/M40	13-21/16-28
X1 PE	M20	6-13
X2	M32/M40	13-21/16-28
X3	M32	13-21
X4	M20	6-13
X5 „L1/N/PE“	M25	9-17
X5 „1/2/3/4“	M20	6-13

picture may differ from original



Observe the installation instructions!

General data

Dimensions (WxHxD)	[mm]	448x622x161
Weight	[kg]	11,5
Operating temperature range	[°C]	-25..+40
Temperature - transport/storage	[°C]	-25..+55
Temporary max. 24 hours	[°C]	70
Humidity-condensing allowed	•/-	-
Humidity – permitted range [%]		5 ... 95
max. altitude above sea level	[m]	2000
Protection class IP (EN 60529)		65
Outdoor-application permitted	•/-	-
Installation type		Indoor area
Protection against electric shock (EN 61140)		II
Case material		Polycarbonate
RoHS-conformity (2011/65/EU)		•
Colour of case		similar RAL7046
Way of mounting cover		wall mounting transparent
Locking system		without tool

Relevant standards

Switching devices	EN 61439-1 EN 61439-2 EN 61439-3
„distribution boards – operated by ordinary people“ (DBO)	
French - national standards	UTE C15-712 NF C15-100

Miscellaneous

Customer tariff number	85371098
------------------------	----------