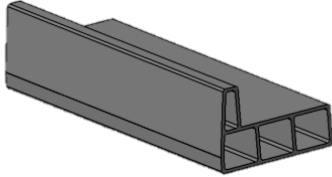
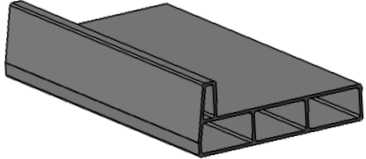
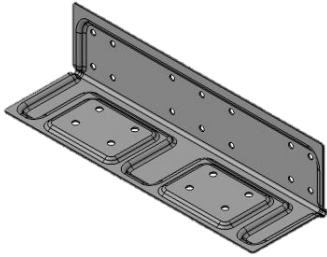
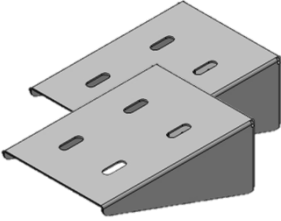








RESU Optional Components

For 3.3kWh / 6.5kWh / 10kWh / 13 kWh Battery Packs

Optional Components

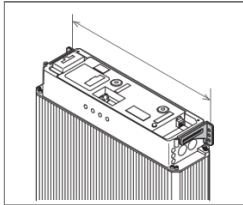


Item	RESU 3.3 / RESU 6.5				RESU 10 / RESU 13					
Baseplate					1 EA					1 EA
Shelf					1 EA					2 EA
	Anchor Bolt 	14 EA	Hexagon head Bolt 	plain washer(2EA) 	8 Set	Set Anchor Bolt 	8 EA	Hexagon head Bolt 	plain washer(2EA) 	8 Set

※ Caution

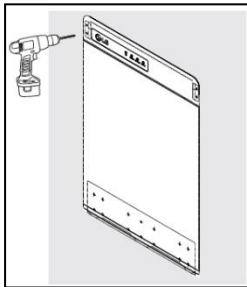
Even if battery pack is installed on a Baseplate or Shelf, make sure that the essential parts, Mounting Brackets, must install to prevent the battery pack from moving.

Step 1



Determine the optimal location for RESU pack, the Mounting Brackets and Optional parts to be placed using the drill template.

Step 2



Drill holes in the wall for the M6 (0.25 in) screw anchors. The drilling depth should be at least 50 mm.

The Mounting Brackets and Shelf must be bolted into a stud or a load-bearing wall.

Step 3

Position and place the Baseplate on the floor or attached the Shelf into the studs. For the Shelf, flat side mounts flush with the wall and two bumps attached to the bottom part of the RESU pack.

Option #1

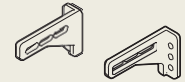
Place the RESU Pack on the Baseplate.

Option #2

Place the RESU Pack on the Shelf.

Use the Flange Bolt and plain washer to firmly attached the RESU pack to the Shelf.

[Essential parts]

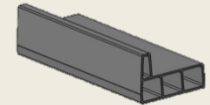


Mounting Brackets

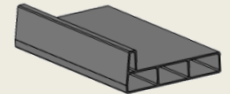
[Optional parts]

▪ Baseplate

- RESU3.3 / 6.5

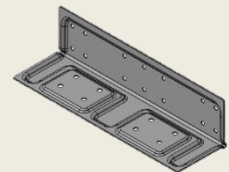


- RESU10 / 13

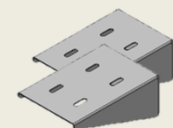


▪ Shelf

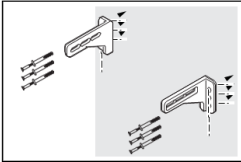
- RESU3.3 / 6.5



- RESU10 / 13



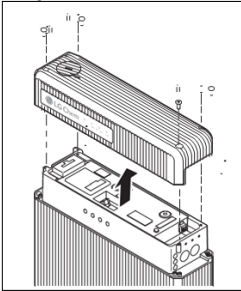
Step 4



Drill holes in the wall for M6 (¼ in) screw anchors.
The drilling depth should be at least 50mm.

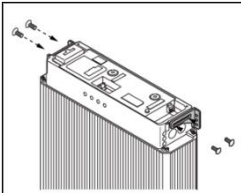
Drive the screw anchors through the Mounting Brackets into the holes.
Tighten the screws to a torque of 5 N·m.

Step 5



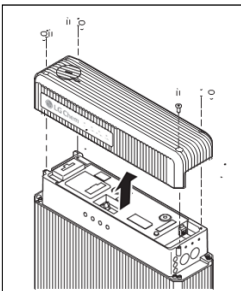
Remove the top cover of the RESU pack.
Loosen the four hex-socket screws at each corner of the top cover, and then pull it upwards.

Step 6



There are holes for Mounting Brackets on the top of the both sides of the RESU pack.
Secure the mounting brackets to the holes using the M5 screws.
Tighten them to a torque of 5 N·m.

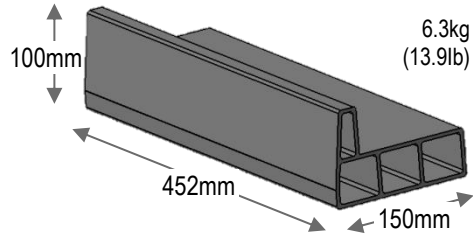
Step 7



Cover the top cover of the RESU pack and tighten the four hex-socket screws at each corner of the top cover.
Tighten the screws to a torque of 5 N·m.

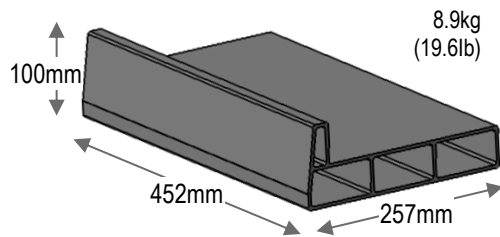
Optional Components _ Baseplate

1. Baseplate for RESU 3.3 / RESU 6.5

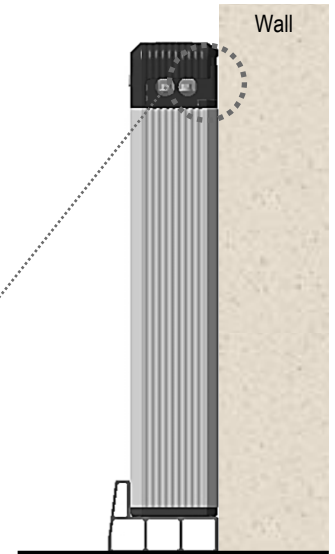
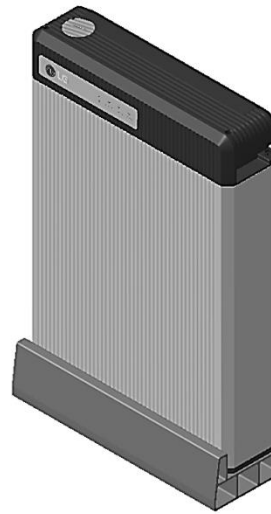


3.3/6.5kWh Physical Characteristics		
Width	mm(in)	452 (17.8)
Depth	mm(in)	150 (5.9)
Height	mm(in)	100 (3.9)
Material		Al

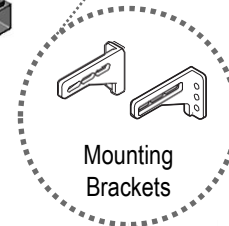
2. Baseplate for RESU 10 / RESU 13



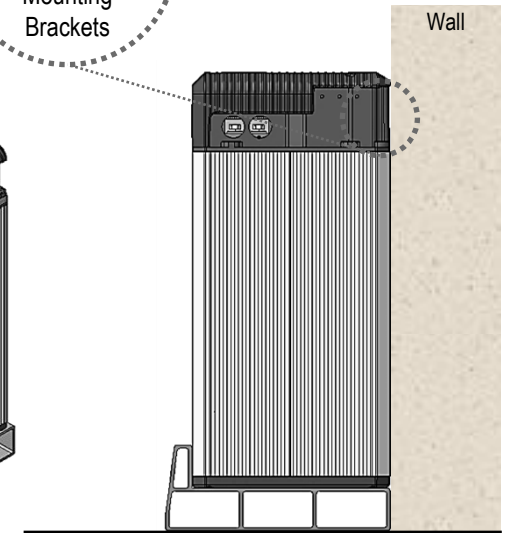
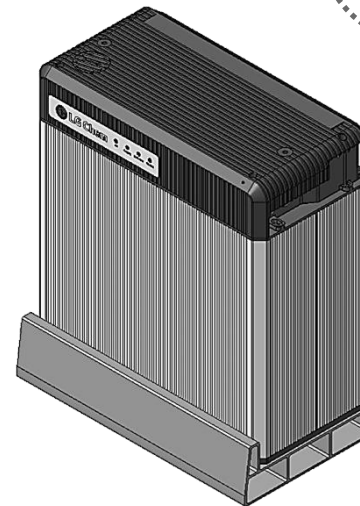
10/13kWh Physical Characteristics		
Width	mm(in)	452 (17.8)
Depth	mm(in)	257 (10.1)
Height	mm(in)	100 (3.9)
Material		Al



Side view



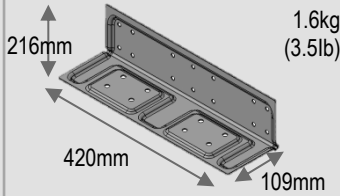



Mounting Brackets

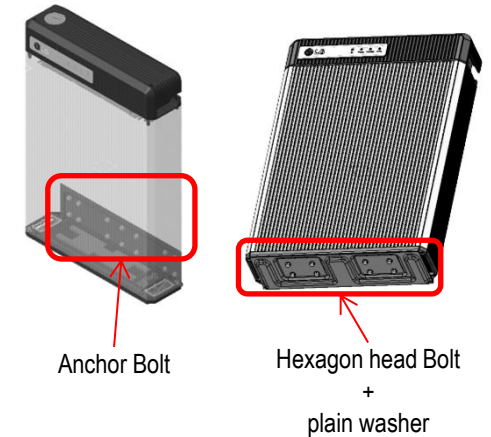


Side view

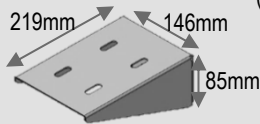



Optional Components _ Shelf

1. Shelf for RESU 3.3 / RESU 6.5

Item	Shelf	Anchor Bolt	Hexagon head Bolt	plain washer
Image				
Size	216mm x 420mm x 109mm (5" x 16.5" x 4.3")	M6 x L25	M8 x L10	Thickness 1.6t
Q'ty	1 EA	14 EA	8 EA	16 EA
Material	Sheet iron (Hot dip Galvanizing)	-	-	SUS



2. Shelf for RESU 10 / RESU 13

Item	Shelf	Set Anchor Bolt	Hexagon head Bolt	plain washer
Image				
Size	219mm x 146mm x 85mm (8.6" x 5.7" x 3.3")	M8 x L62	M8 x L10	Thickness 1.6t
Q'ty	2 EA	8 EA	8 EA	16 EA
Material	Sheet iron (Hot dip Galvanizing)	-	-	SUS

