

ES/EM/SBP + Lynx-U Battery Connection



Ver. 1.0

Updated on May 7th, 2021

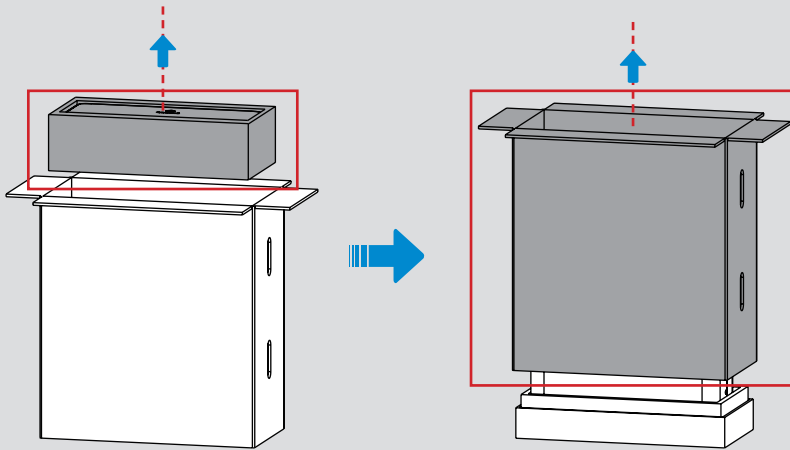
www.goodwe.com

This is an instruction for quick installation of ES, EM, SBP series energy storage inverters and GOODWE Lynx-U battery. For details of the connection or commissioning, please go to user manual of the inverter and the battery if you cannot find it in this instruction. ES, EM, SBP have a similar connection and commissioning process. Herein we take ES inverter and GOODWE Lynx-U battery as an example for connection and commissioning.

Precaution

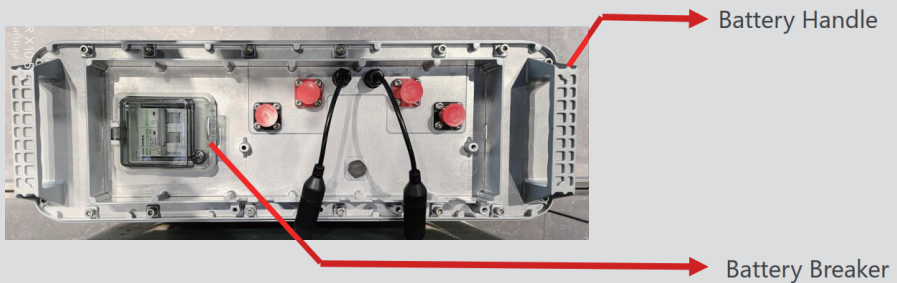
A

Remove the package and hold the battery handle to take the battery out. For more detailed information, please refer to Lynx-U battery User Manual.



B

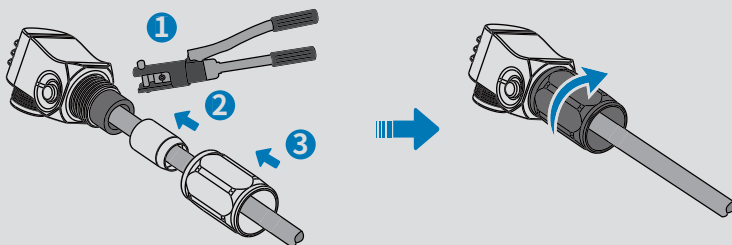
Make sure battery and inverter are not damaged. Inverter and battery breaker is turned off before making any further move.



Step 1: Power Cable Wiring

A. (a). Crimp the power cable. (b). Put the rubber sealing ring. (c). Secure the back shell.

Note: Please use the power connector in accessory bag of Lynx-U battery.
Please follow the instruction in the User Manual of battery for more detailed information.

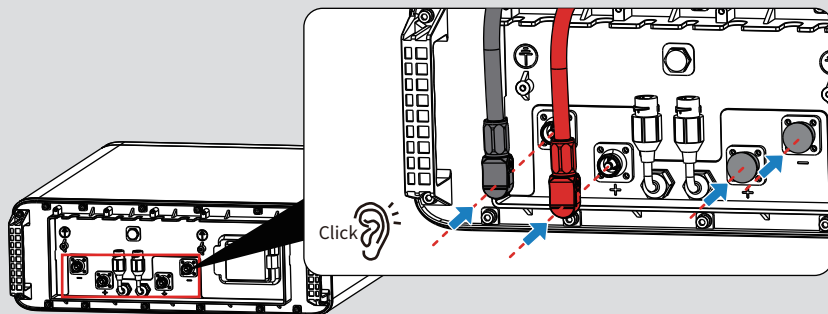


B. Put battery power cable through battery cover plate and press cable into the right port. Make sure the cable connected tightly by confirming the Click sound.

Power cable dimension: 20~25mm²

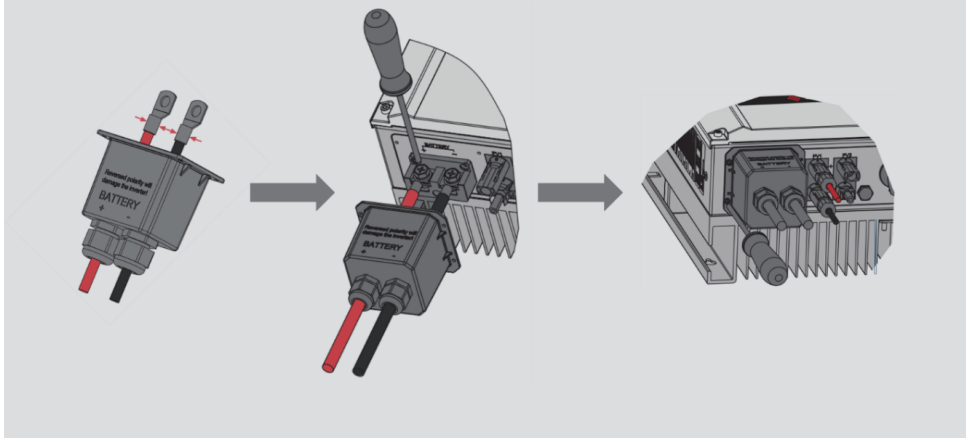
Note: Please follow inverter's requirement to select power cable if there is conflict on ES or Battery manual.

Please install the protective cover for the poles which is not connect to power cable.



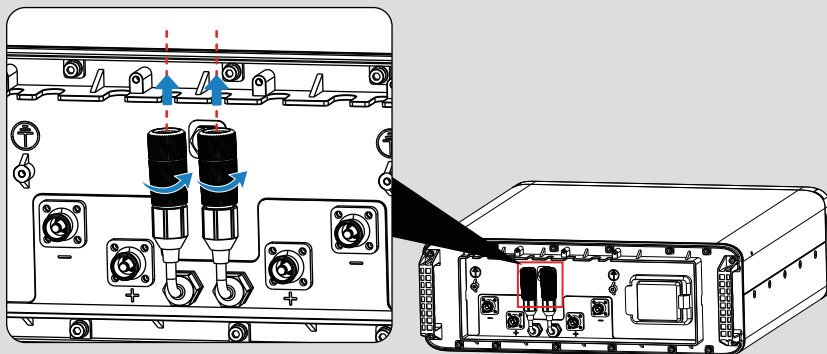
C. Make battery terminals and connect battery terminals to inverter.

Note: Please use the battery connectors in the components box of solar inverter.
Please follow the instruction in the User Manual of inverter for more detailed information.



Step 2: Communication Cable Wiring

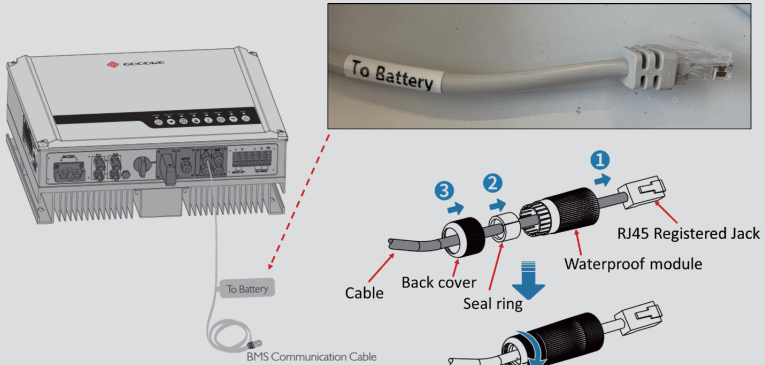
A. Remove the waterproof module.



B. Route the cable and RJ45 Registered Jack through seal ring the waterproof module.

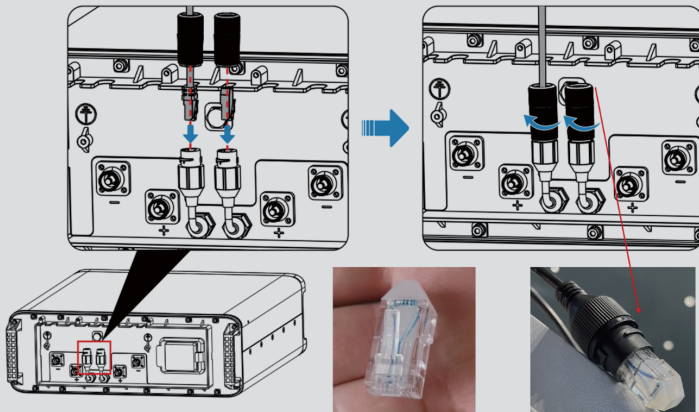
Note: Two COM port are same. You can connect any one to inverter or to next battery.

C. Secure the back cover.



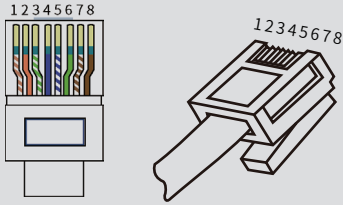
Note: For ES, EM, SBP, the BMS communication cable and RJ45 connector already have been installed on the inverter. No longer need to crimp the RJ45 Registered Jack any more.

D. Connect the communication cable to the battery. Secure the cover. Last one COM port need to install terminal resistance.



Pin Function of BMS Communication Connector on Battery Side

RJ45 Registered Jack



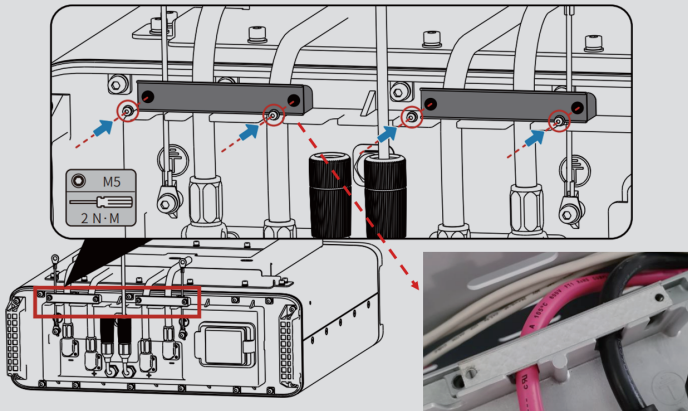
CAN COM Port

PIN	Definition
4	CAN_H
5	CAN_L
1,2,3,6,7,8	N/A

Note: please use professional tools to do build up communication cable if you want to extend the cable.

Step 3: Install the Wire Harness Fix Bar of Lynx-U Battery

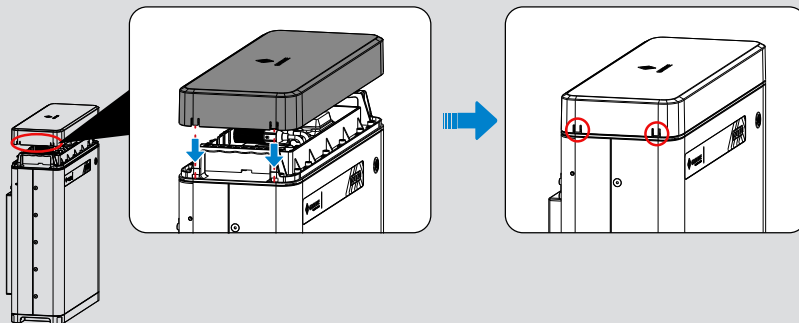
- Put the wire harness on the corresponding slot.
- Install the bar using M5 screws.



Step 4: Install the plastic cover

A. Put the wire harness on the corresponding slot.

B. Install the bar using M5 screws.

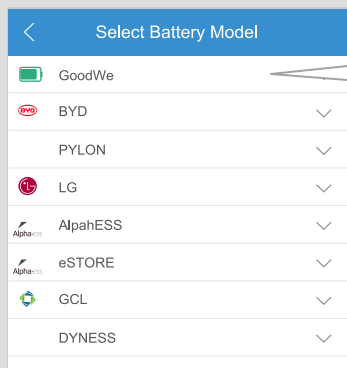


Step 5: Commissioning

A. Download and install PV Master on your smart phone and connect inverter via wireless.



B. Select the “Lynx-U” battery model on PV Master → Basic Setting.



LX U5.4-L*1
LX U5.4-L*2
LX U5.4-L*3
LX U5.4-L*4
LX U5.4-L*5
LX U5.4-L*6

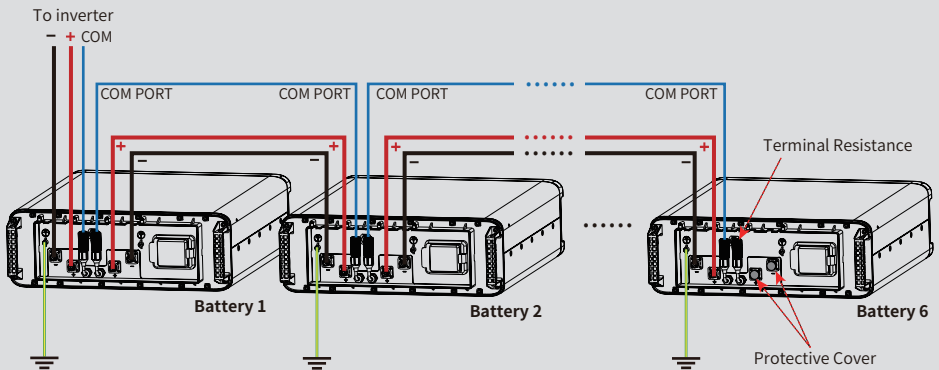
Select “LX U5.4-L” on PV Master.

Note: wrong commissioning will cause BMS communication failure.

Battery Paralleling

For details, please follow GOODWE instructions.

→1 - 6 Lynx-U Batteries Paralleling



Note:

1. Power cables and communication cables need to be installed wire harness fix bar.
2. There is no priority of COM port and Battery Port. You can connect any one of the positive/negative port and COM port to inverter or to next battery.
3. The last one battery need to insert terminal resistance at COM port and install protective cover.
4. The last power poles need to install protective covers.

JIANGSU GOODWE POWER SUPPLY TECHNOLOGY CO.,LTD

No. 90 Zijin Rd., New District, Suzhou, 215011, China

www.goodwe.com

service@goodwe.com