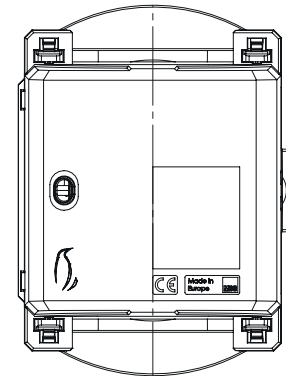
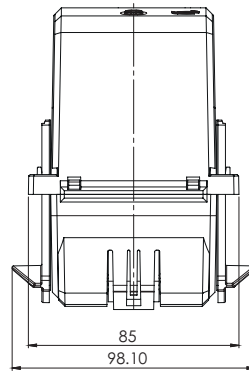
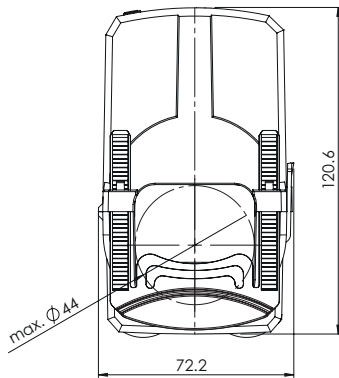


Cable-type current transformer

The KCMA-44 series cable-type current transformer is mainly used for retrofitting in existing systems. As a result of its compact design with dimensions of 72.2 x 120.6 x 98.1 mm, it is especially suited for installation in hard-to-reach places or for the use in locations with restricted dimensional freedom. The KCMA-44 measures primary currents in the range 750 A to 1000 A and transforms these on the secondary side up to 5 A. When installing, the locking mechanism is opened, the transformer is positioned around the primary conductor and is then closed again with an audible click. Once the secondary cables are successfully connected, the measuring apparatus is immediately ready for operation.



Ordering data

Order No.	Type	Primary current	Secondary current max.	Tolerance class	Load	Round conductor	Rail	Qty.
2420710000	KCMA-44-750-5A-5VA-1	750 A	5 A	1	5 VA	44.00 mm		1
2437370000	KCMA-44-800-5A-5VA-1	800 A	5 A	1	5 VA	44.00 mm		1
2437400000	KCMA-44-1000-5A-5VA-1	1000 A	5 A	1	5 VA	44.00 mm		1
Note	For additional articles and information, refer to catalog.weidmueller.com							