

1

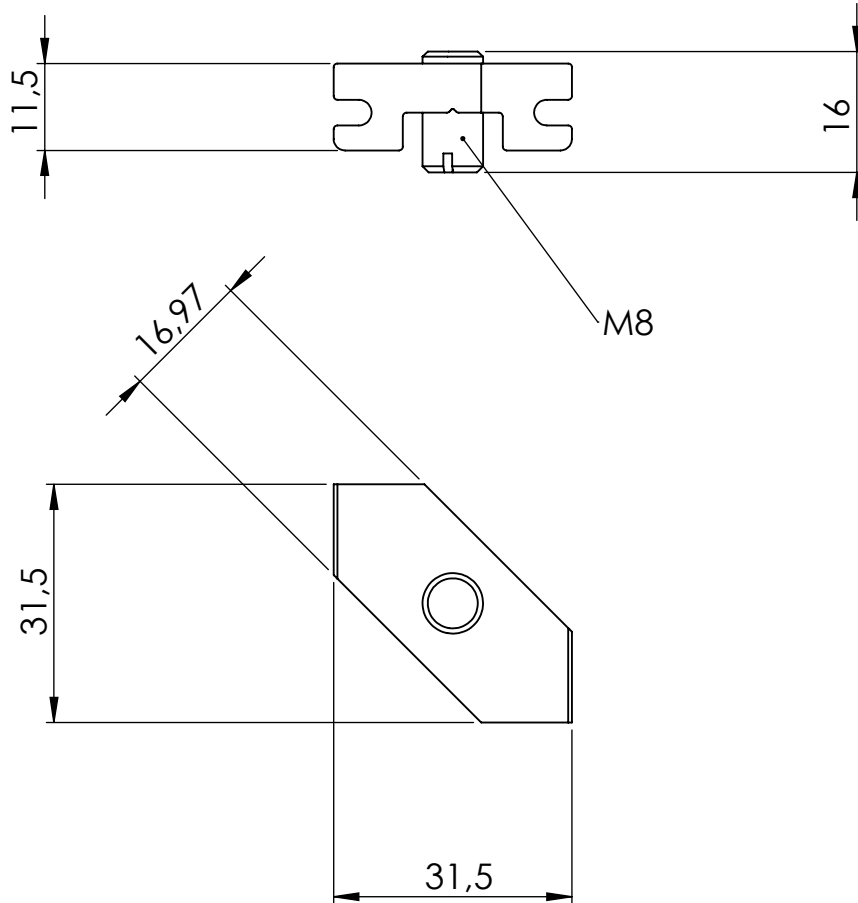
2

3

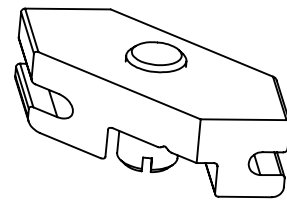
4

A

B



E



F

Index	Revision	Date	Name
08			
07			
06			
05			
04			
03			
02			
01			

Designation:	<b>Data sheet InsertionRail Fix stop</b>	
Item no.:	<b>2002766</b>	<b>A4</b>
Drawing no.:	All dimensions in mm	
Tolerance ISO 8015	Sheet 1 of 1	

**K2**  
 K2 Systems GmbH  
 Industriestr. 18  
 71272 Renningen  
 07159/42059-0