

SolarEdge Home Hub Inverter - Three Phase

Quick Installation Guide
For Europe, APAC and South Africa



solaredge.com

Werner-Eckert-Strasse 6/81829 Munich/GermanySolarEdge Technologies GmbH
Subject to change without notice.
© SolarEdge Technologies, Ltd.
All rights reserved. September 2022.

[Unpacking and
Mounting Video](#)



[Wiring Video](#)



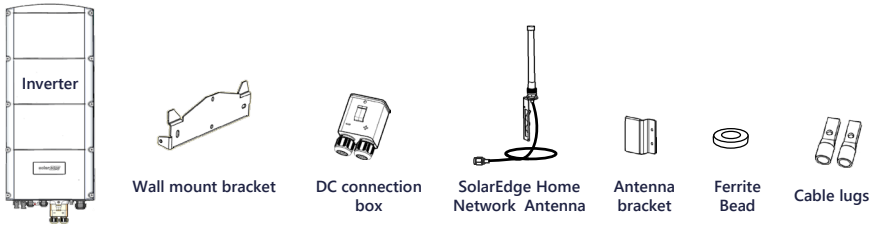
[Datasheet](#)



[Installation Guide](#)



What's in the Package

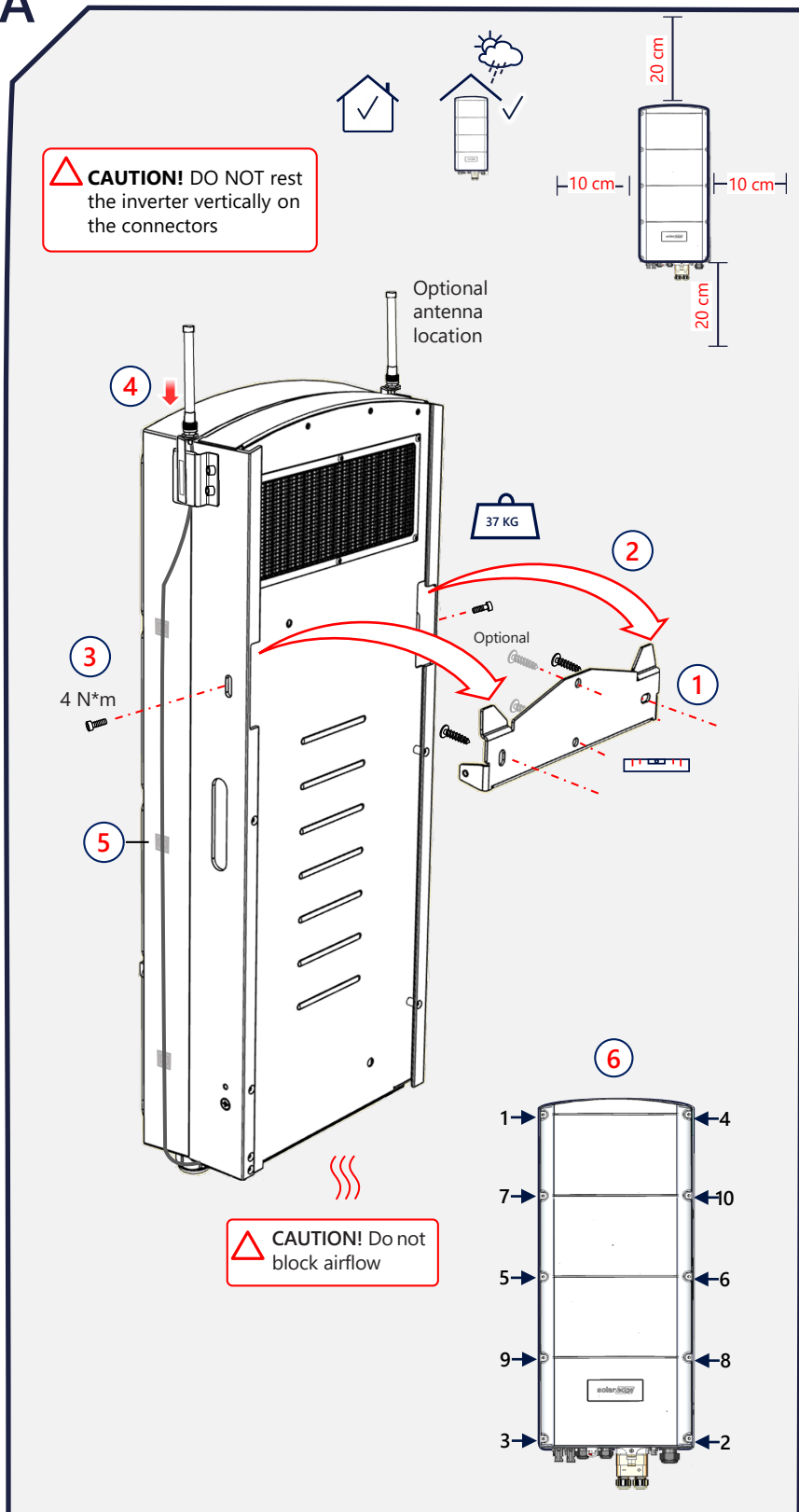


- WARNING!** This symbol denotes a hazard. It calls attention to a procedure that if not correctly performed or adhered to could result in injury or loss of life. Do not proceed beyond a warning note until the indicated conditions are fully understood and met.
- CAUTION!** Denotes a hazard. It calls attention to a procedure that, if not correctly performed or adhered to, could result in damage or destruction of the product. Do not proceed beyond a caution sign until the indicated conditions are fully understood and met.

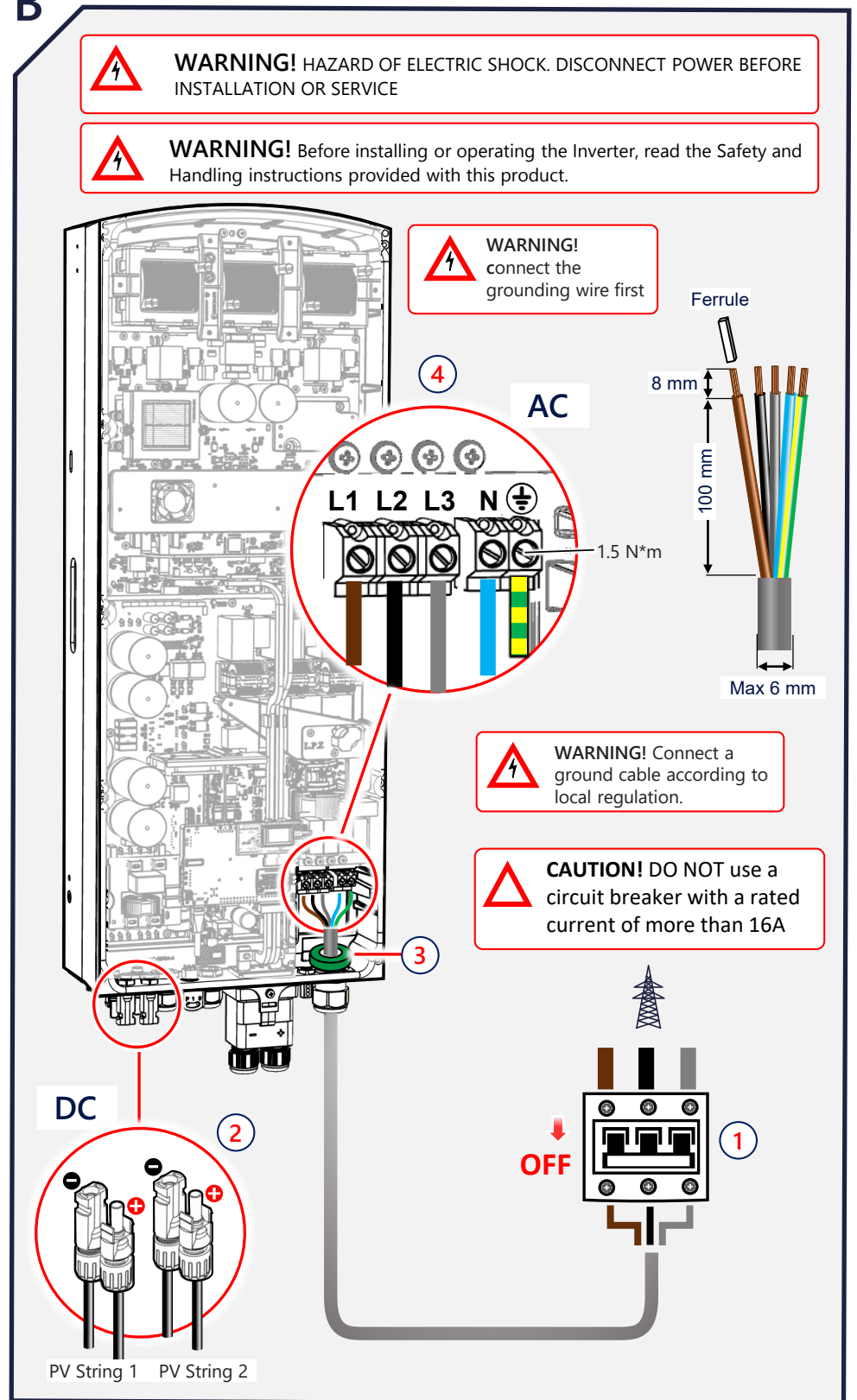
Tools and Materials



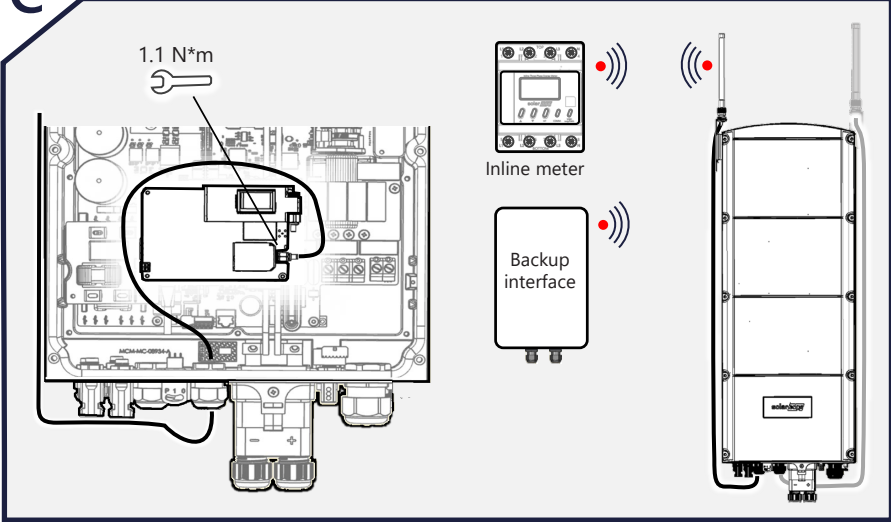
A Mounting



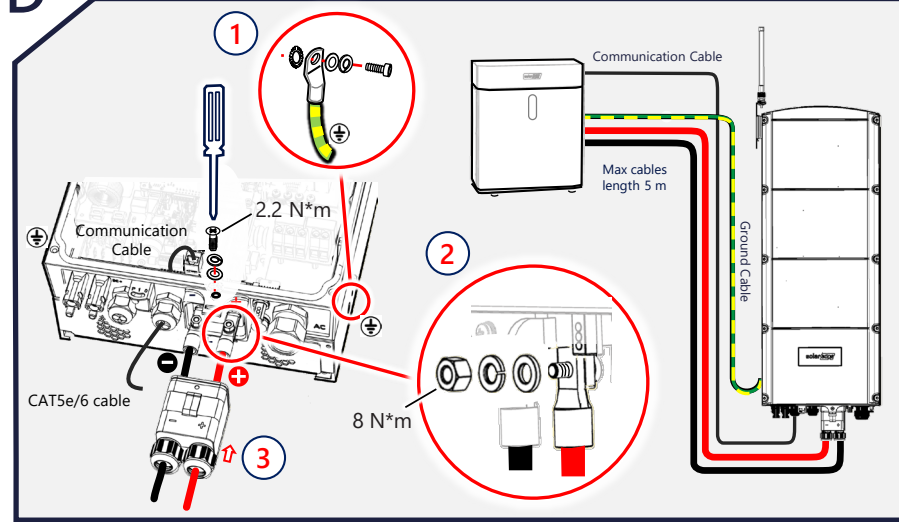
B Wiring



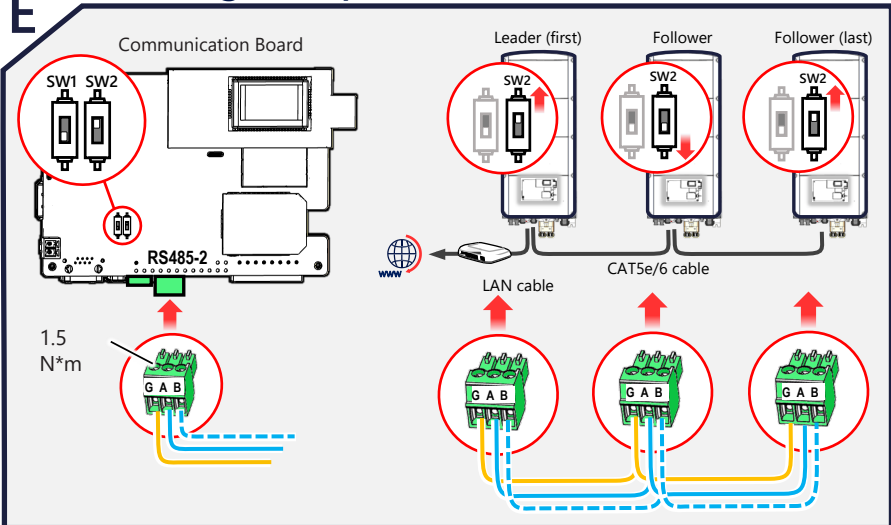
C SolarEdge Home Network Connection



D Battery Connection

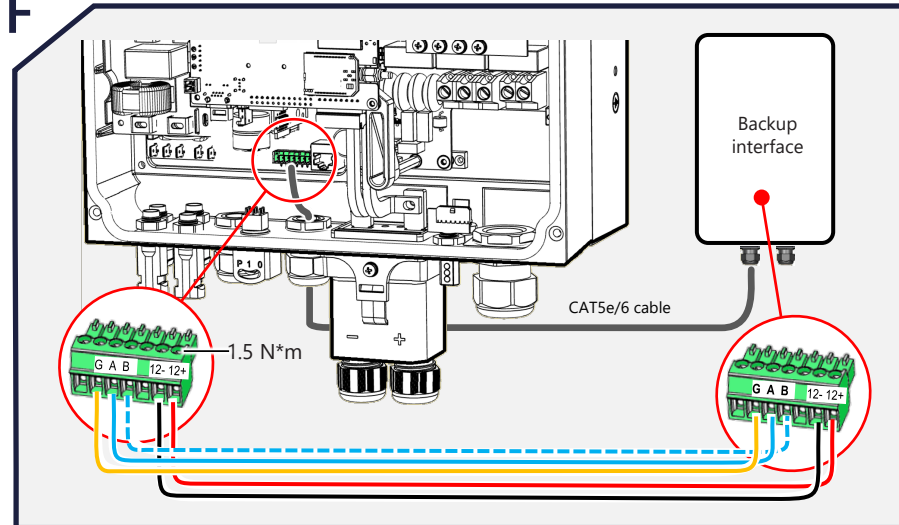


E Chaining Multiple Inverters



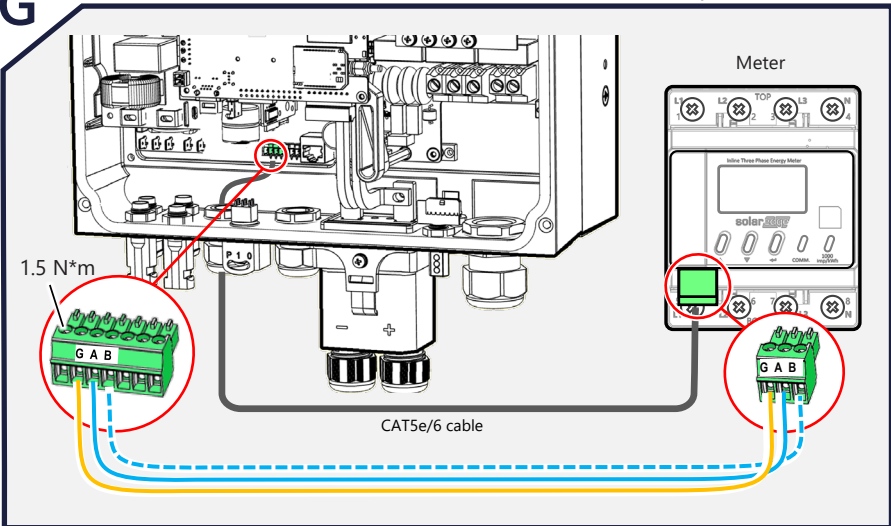
F Backup Interface Connection

(The Backup Interface can also be connected wirelessly)

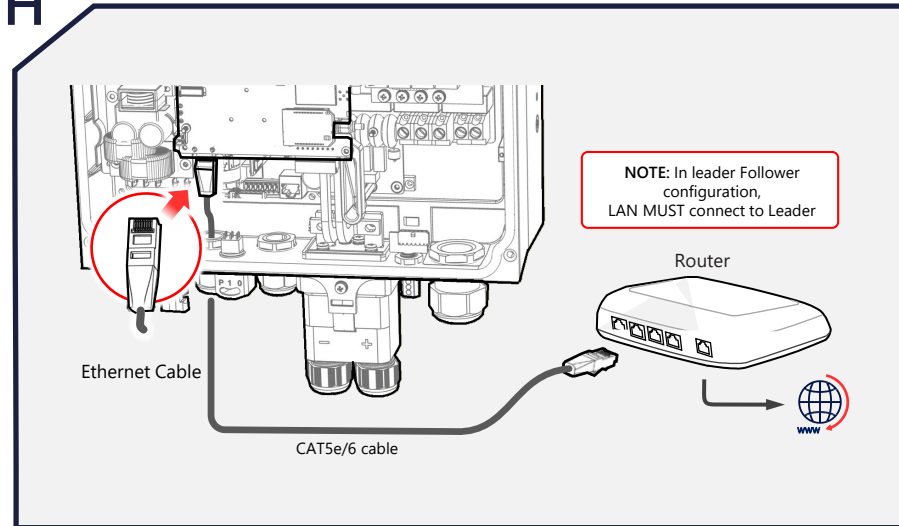


G Meter Connection

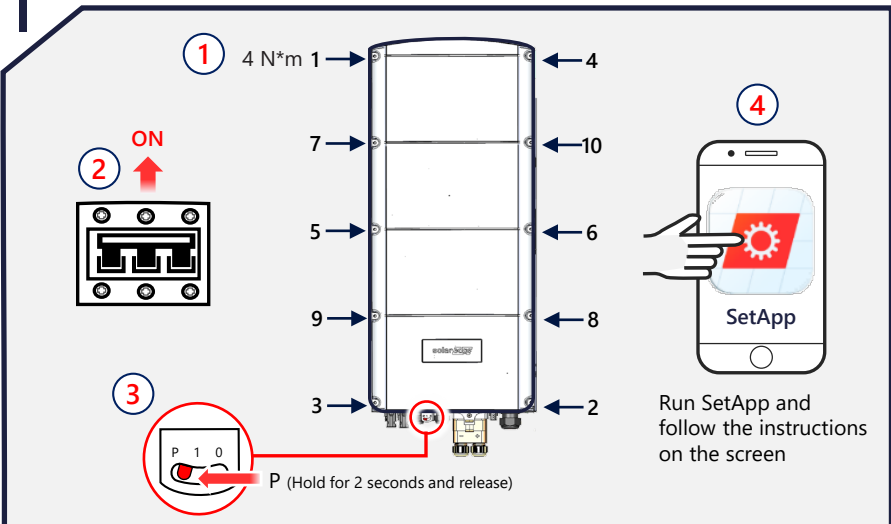
(The meter can only be connected if Backup Interface is not used. Inline meter can also be connected wirelessly)



H LAN Connection



I Commissioning the Inverter



J LED Indications

