

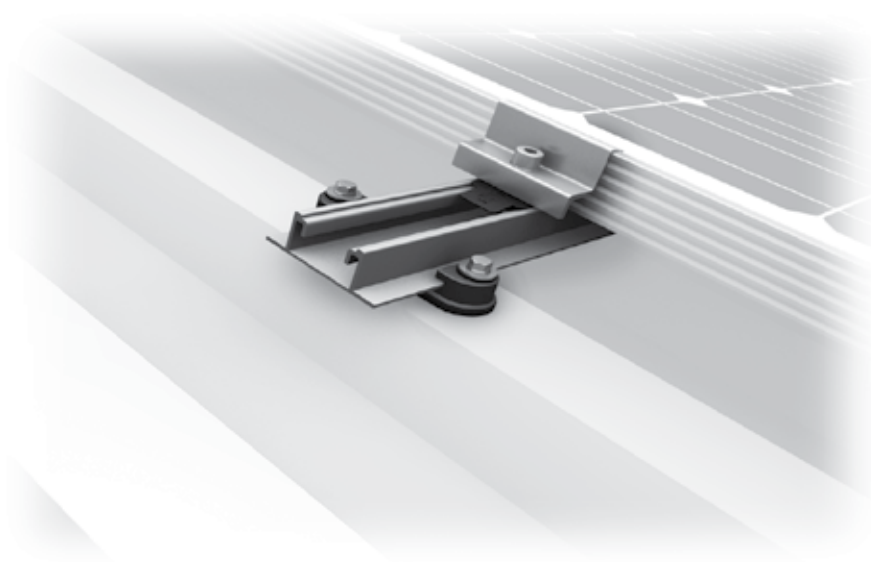


Cernay - France  
System: 1,136 MW | SpeedRail with AddOn



Gäufelden-Nebringen - Germany  
System: 31,85 kW | SpeedRail

Mounting systems for solar technology



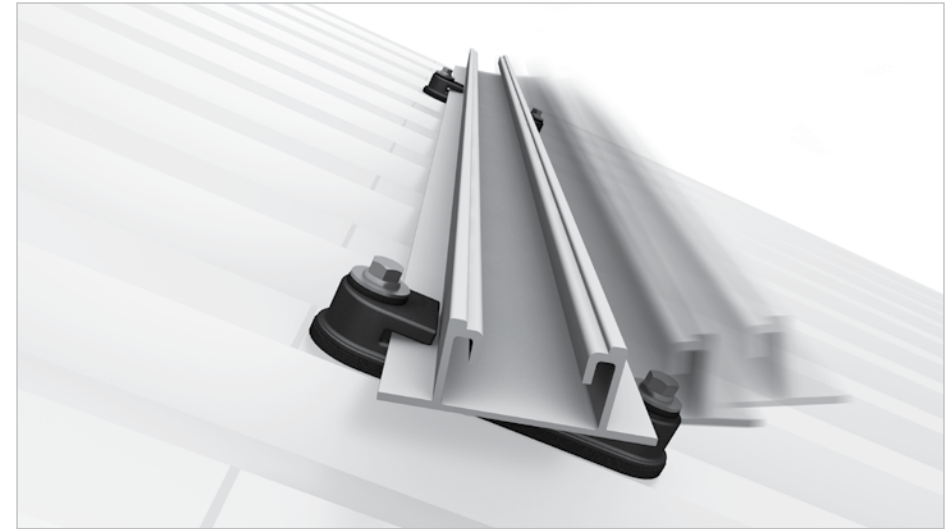
SERVICE-HOTLINE  
**+49 (0)7159 42059-0**  
[www.k2-systems.com](http://www.k2-systems.com)



K2 SYSTEMS  
**SLOPED ROOF SYSTEMS**  
**SPEEDRAIL SYSTEM**

# SPEEDRAIL SYSTEM

- The K2 SpeedRail system — a float-mounted rail system for all popular trapezoidal sheet roofs
- Simple and extremely fast assembly from above with the K2 SpeedClip and K2 SpeedLock
- System rail K2 SpeedRail 22
- Can also be installed in cross bracing (e.g. with CrossRail)
- General technical approval Z-14.4-603 has been applied for
- CSTB certification for France and MCS for Great Britain
- High flexibility - for all module types
- Structural verification by using the K2 Base planning software
- Safe and reliable application
- Fixes into the top sheet only independently from the main supporting substructure



Detail illustration - SpeedRail

## Technical data



Field of application	Sloped roof of 5 ° - 75 ° roof pitch
Roofing	Minimum thickness of 0.5 mm for steel sheeting and a minimum thickness of 0.8 mm for aluminium sheeting
PV modules	Suitable for all standard module types
Module orientation	Vertical / horizontal (cross bracing with K2 AddOn)
Material	Aluminium (EN AW-6063 T66)
Connecting elements	Stainless steel screws A2-70, plastic PA66 GF35
Roof connection	Technically approved self-tapping screws with SpeedClip
Static principles	Calculation principles in accordance with Eurocode 9 - dimensioning and construction of aluminium structures,
Load assumption in accordance with	Eurocode 1 / DIN EN 1991 and national attachments
System components	SpeedRail range, SpeedClip, SpeedLock, mid and end clamp sets, M K2, Self-tapping screw



System Explosion drawing